

Truth's new Allure Patio Door Handle Sets — Where distinctive styling meets desirable value. Truth's attractive new handle set for the sliding patio door market offers one of the most stylish looks in handle sets. Truth has designed a one-piece patio door handle that appears pleasing on any sized patio door.

GOOD LOOKS / GREAT VALUE

The Allure's one-piece aluminum construction provides remarkable strength and reliability. Compatible with industry standard single or multi-point mortise locks, the Allure Series is available with optional key lock cylinders which can be located in the center, or offset positions within the handle.

The Allure Series can be used on inactive configurations for OXXO patio doors. The low profile handle helps to minimize interference with screens and other door treatments such as curtains and blinds. This unique non-handed handle design helps to reduce part count and inventory concerns while the system itself is made to adapt to stile thicknesses ranging from 1.25" - 2.25" which further enhances the flexibility and attractiveness of this product.

The narrow 1" escutcheon adapts nicely to any size door stile and the extended bosses on the inside and outside of the escutcheon enhances the stability of the entire system.

Attractive styling and craftsmanship makes the Allure Handle Set an economical winner!

MATERIAL & FINISHES:

Available in Truth's traditional decorative finishes over an aluminum base. Paint finishes are electrostatically applied, durable coatings that provide excellent resistance to chipping, scratching and corrosion while maintaining color stability for years in direct sunlight. Please refer to Truth's Color Chart for examples of Truth's most popular finish options.



WARRANTY:

Protected under the terms of the Truth Warranty for Window and Door Manufactures and Authorized Distributors. Refer to Truth's Terms & Conditions for further details.

ORDERING INFORMATION:

To customize the hardware package containing the specific items you require for your door system, please select from the following options:

1. Order item #40.85 for Allure Handle Set (see Fig. 1)
2. Specify finish
3. Select Mortise Lock item number (see 2-Point Mortise Lock or Handle Set Accessories Sections).
4. Select Keeper (see Handle Set Accessories Section — keeper options).

TRUTH TIPS:

1. A Truth Hardware Secondary Patio Door Lock or Limiter can be added for applications requiring additional security.
2. Bumper guards (Truth item number 22082.XX), to keep door sash from contacting the opposite jamb during its travel, are highly recommended (See Handle Set Accessories Section).
3. The use of frame adjusters (Jamb Jacks) is recommended for easy correction of out of square or racked door installations. Frame adjustment can improve both weather seal tightness and door operation over the life of the door.

ALLURE SERIES PATIO DOOR HANDLE SETS

FIG. 1 ALLURE SERIES PATIO DOOR HANDLE 40.85

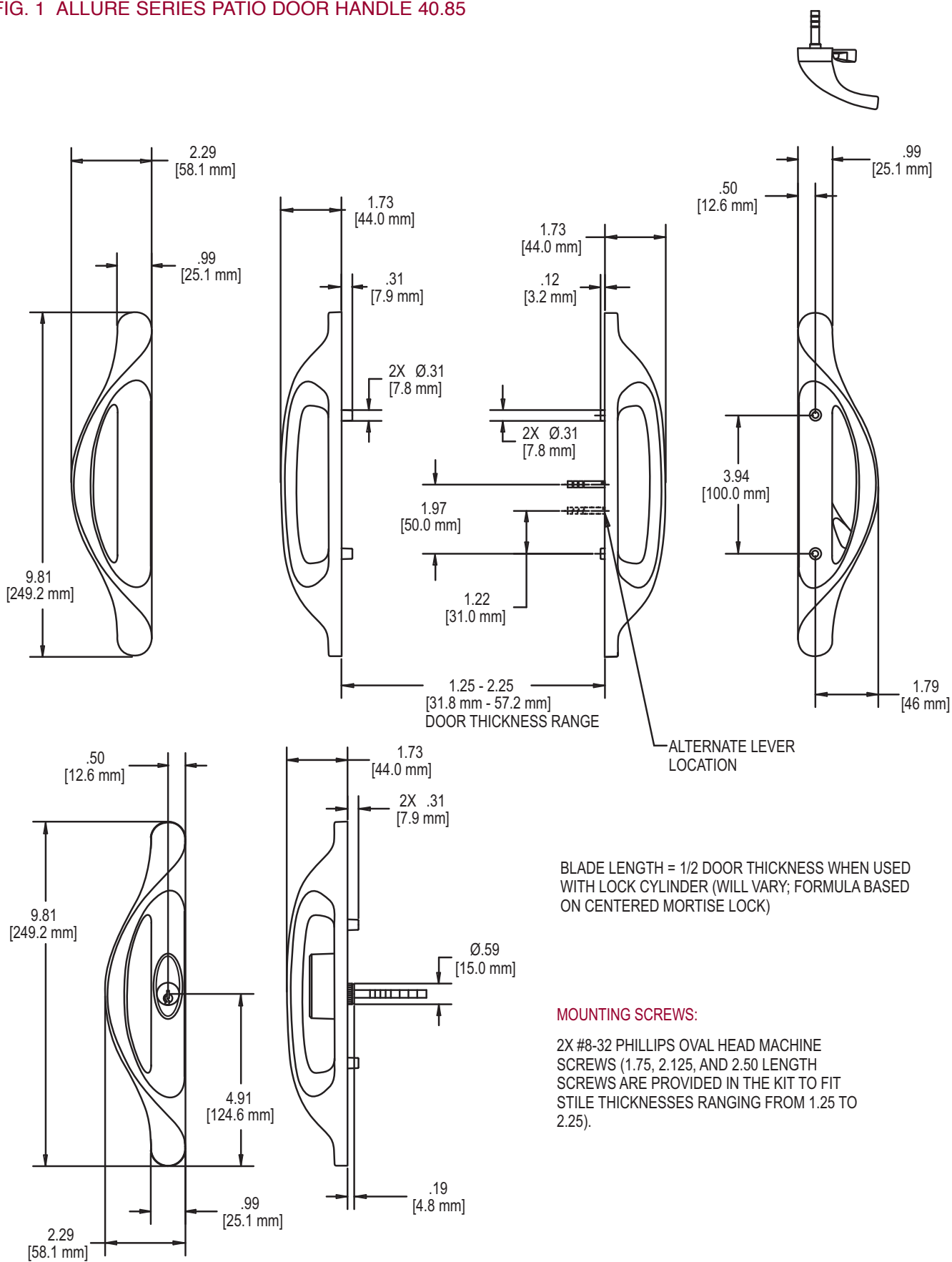
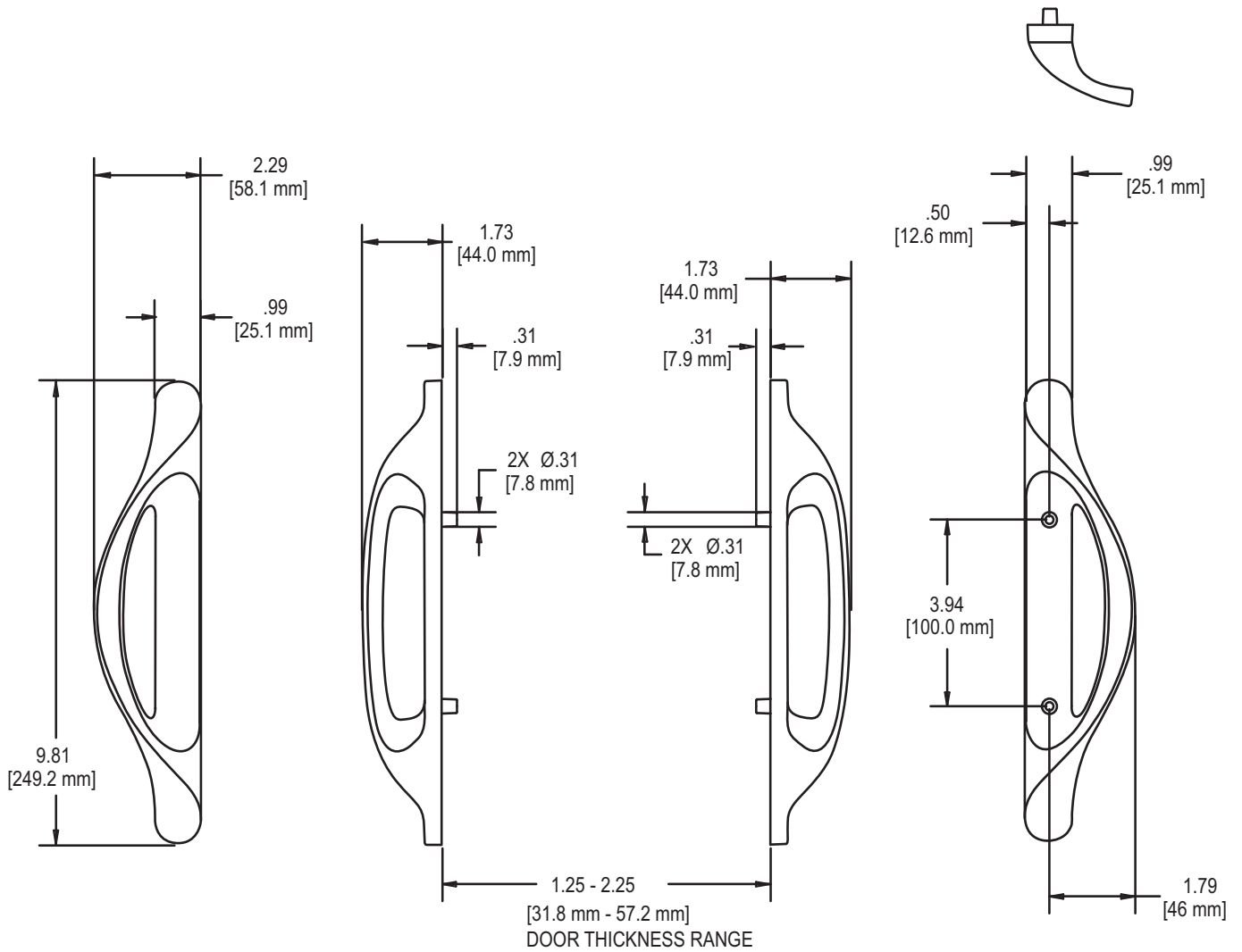


FIG. 2 ALLURE SERIES PATIO DOOR HANDLE 40.85 (DUMMY SET)

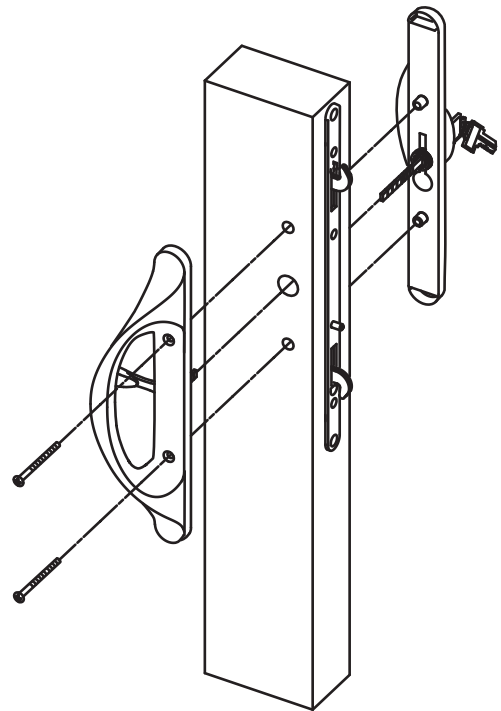
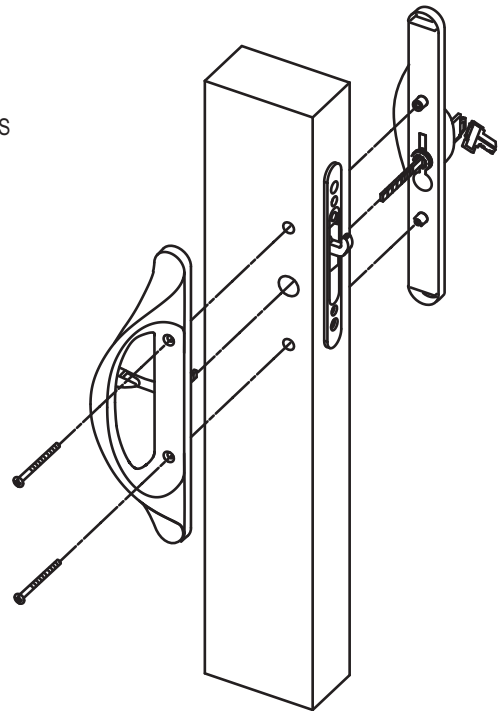
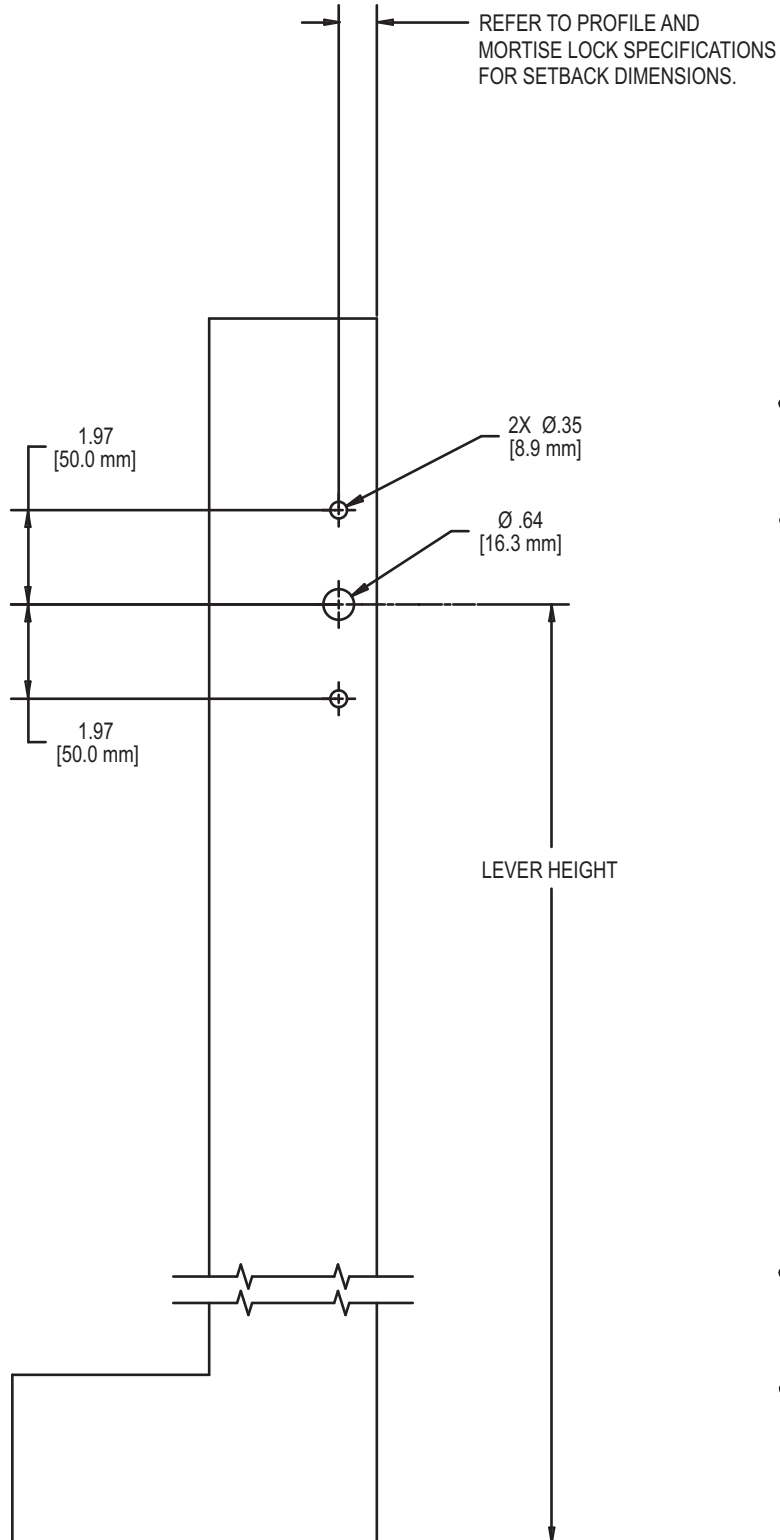


MOUNTING SCREWS:

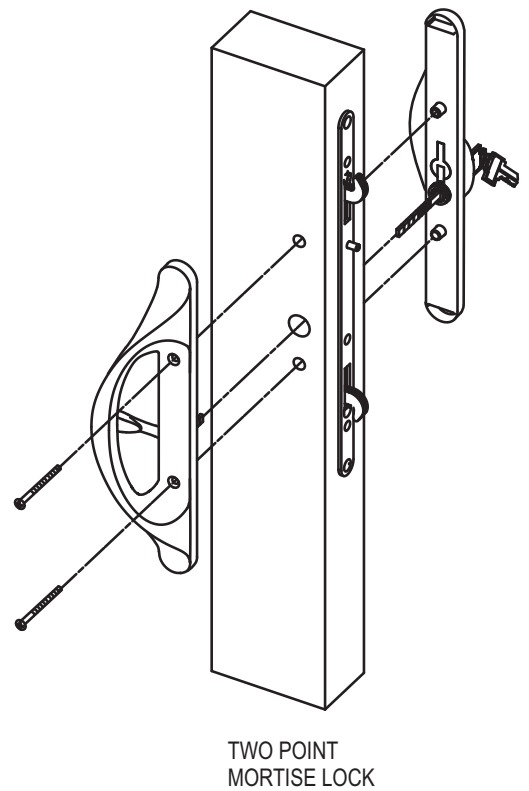
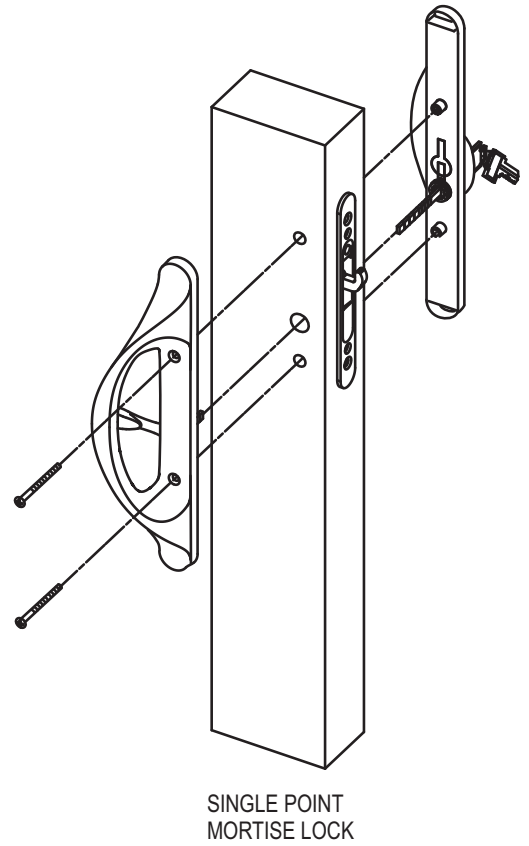
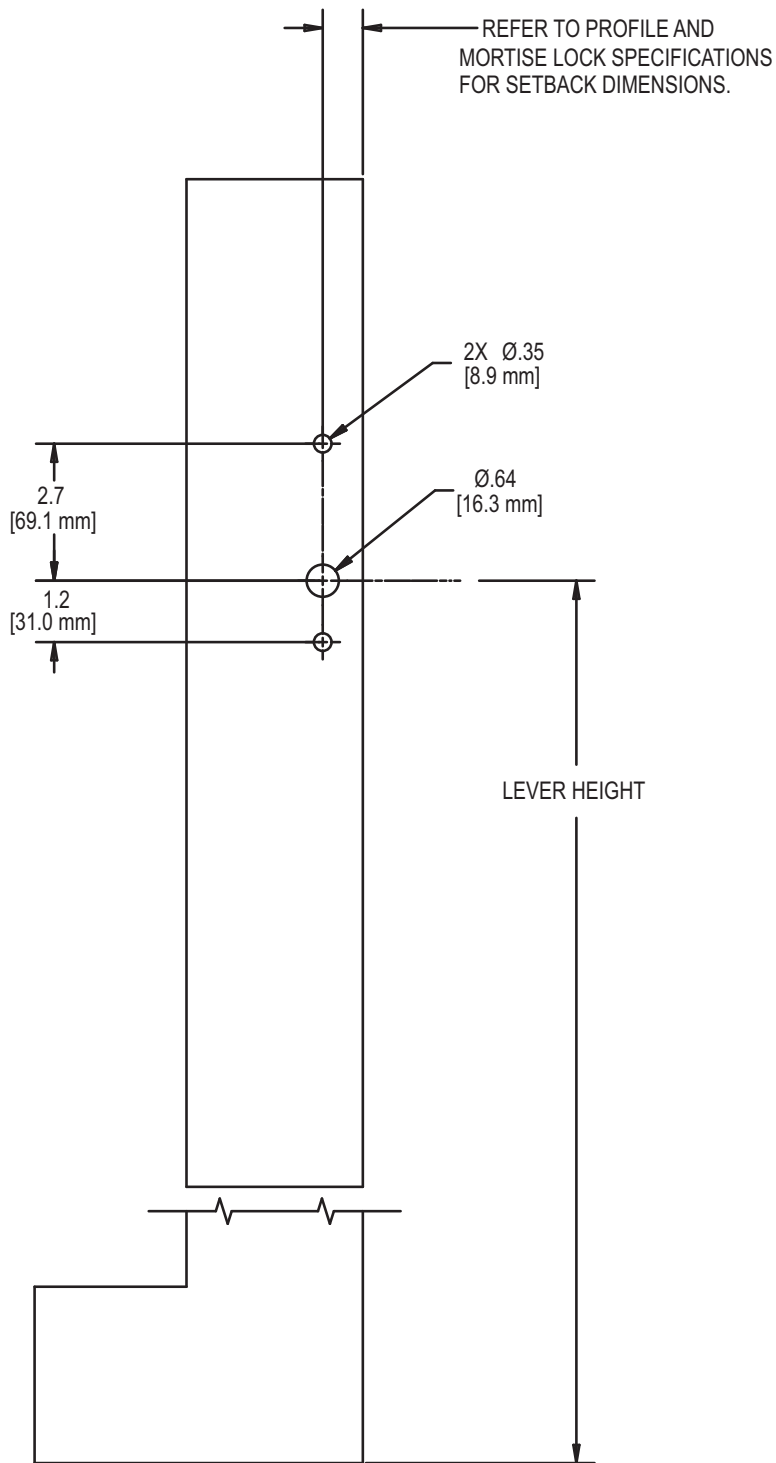
2X #8-32 PHILLIPS OVAL HEAD MACHINE SCREWS (1.75, 2.125, AND 2.50 LENGTH SCREWS ARE PROVIDED IN THE KIT TO FIT STILE THICKNESSES RANGING FROM 1.25 TO 2.25).

ALLURE SERIES PATIO DOOR HANDLE SETS

FIG. 3 ALLURE SERIES PATIO DOOR HANDLE APPLICATION
(CENTER LEVER POSITION)



**FIG. 4 ALLURE SERIES PATIO DOOR HANDLE APPLICATION
(OFFSET LEVER POSITION)**



**ALLURE SERIES PATIO
DOOR HANDLE SETS**