



These specially designed sash locks are loaded with “hidden features”! The clean, low profile design of these locks requires a stop thickness of only .625” (15.8 mm) while still providing a full .250” (6.3 mm) screen rabbet. When properly installed, the revolving cam locking mechanism provides a .625” (15.8 mm) draw-in at the sash. Using a #31358 Keeper, when properly installed this produces a minimum forced entry resistance capability of 250 lbs. per lock (200 lbs. minimum per lock using a #31344 Keeper). An added bonus is that the non-handed design helps hold down expensive inventories.

Wherever architect requirements, or purchaser’s preference, call for *tandem* sash lock operation, the #16.19 sash lock is readily adaptable to a tandem configuration. A single rabbet cut into the lock side of the jamb is all that is necessary for tie bar installation. Rabbet and tie bar are completely concealed by the application of the customary stop. Tie bar application is optional (please specify when ordering). In either case, special profile considerations will need to be addressed. Contact Truth’s Technical Service Department for further information.

WARRANTY:

Protected under the terms of the Truth Warranty for Window and Door Manufacturers and Authorized Distributors. Refer to Truth’s Terms and Conditions for further details.

E-GARD® HARDWARE:

Truth’s E-Gard® Hardware has a multi-stage coating process that produces a superior physical and aesthetic finish. Plus, it is resistant to a wider range of corrosive materials, including industrial cleaning materials and environmental pollutants. This proprietary process has been tested to be approximately three times better than common zinc plated finishes.

MATERIAL: High-pressure die-cast zinc case and handle. Painted steel back plate. Steel keeper and steel locking cam.

FINISH: Electrostatically applied, durable coatings that provide excellent resistance to chipping, scratching and corrosion while maintaining color



stability for years in direct sunlight. Please refer to Truth's Color Chart for examples of Truth's most popular finish options. Truth also offers a wide range of decorative "plated" finishes - contact Truth for additional information on availability of these finishes on specific product lines.

ORDERING INFORMATION:

1. Choose Sash Lock style desired (specify by part number).
#16.18 - Sash Lock
#16.19 - Sash Lock (tandem application)
2. Specify finish number
3. Select mounting hardware (sold separately):
#31344 - Standard Keeper
#31345 - Offset Keeper
#31358 - High Strength Keeper
#31437 - Slotted Hole Keeper
#91555 - Template (#31344 Keeper)
 Tie Bars - See table for the tie bar that best meets your application.

RECOMMENDED SCREWS:

Types of screws required determined by material of profile used. See Tech Note #11. Refer to drawings for complete information on screw type and quantity needed (sold separately).

TIE BARS

Tie Bar Part No.	B Dimension
10542	18.500 (469.9mm)
10412	20.375 (517.5mm)
10309	22.875 (581.0mm)
10353	23.312 (592.1mm)
10492	27.750 (704.9mm)
10413	28.875 (733.4mm)
10543	30.500 (774.7mm)
10310	34.875 (885.8mm)
10347	35.312 (896.9mm)
31359	37.375 (949.3mm)
10544	38.500 (977.9mm)
10348	43.312 (1100.1mm)
10311	46.875 (1190.6mm)

TRUTH TIPS:

1. Mounting templates are available to aid in locating the correct mounting hole positions for the sash lock and keeper.
2. When tandem operation of two sash locks are used, the tie bar must be confined to prevent buckling. This is most easily accomplished by confining the tie bar route within the frame (See drawings).
3. To apply a tie bar to a pair of sash locks, simply insert the pins on the tie bar into the holes provided on the back of the tie bar compatible sash locks.
4. In wood window applications, make sure that fasteners do not interfere with movement of the tie bar.
5. Sash Lock has .625" (15.8 mm) of reach-out to pull the sash in tight against the weatherstripping.
6. When selecting mounting screws for Truth hardware, coating compatibility is one of the most important criteria. For best corrosion resistance the coating on the screws should be the same as the coating on the hardware.
7. For accurate hardware placement in vinyl or metal applications, pre-drilling of the window profile is recommended.
8. For vinyl window applications, mounting screws should pass through two PVC walls, or one PVC wall and one insert wall. For this reason, it may be necessary to use a longer screw than is recommended.
9. For metal window profiles, Truth recommends machine screws. However, in most applications, sheet metal screws will provide adequate holding power.
10. Truth recommends that a Snubber be used at the center of the hinge side on any casement window which has a tendency to bow outwardly at the center in the closed position. Adding a Snubber may increase the negative air pressure rating of the window.

**INCLUDE TRUTH SPECS ON
YOUR NEXT WINDOW PROJECT**

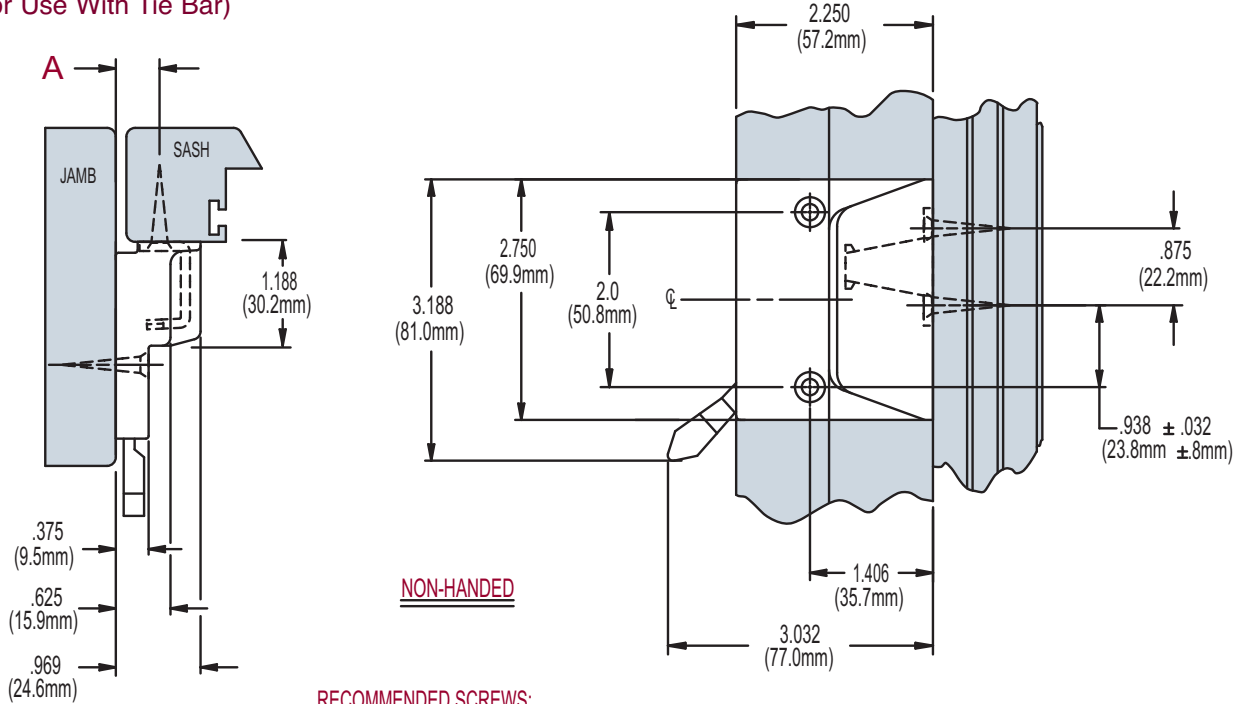
Window sash locks shall be included which will increase both security and weather seal tightness. The lock must also allow easy removal of window screen panel. The locks must hold securely up to 200 lbs. of force per lock for negative air pressure and forced entry resistance.

Window sash locks will be used which provide .625" (15.8 mm) of pull-in created by a revolving cam locking mechanism. The lock must also allow tandem operation of two locks to meet ADA hardware height standards.

The lock shall be constructed of high pressure zinc alloy die castings and E-Gard® Hardware internal components.

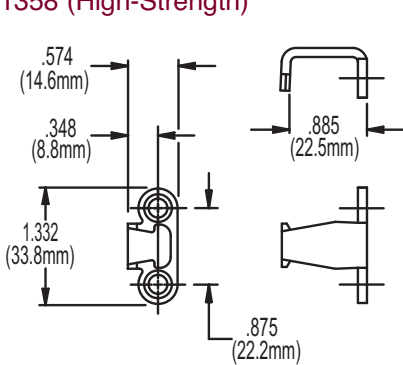
Window locks shall be 16 series Low Profile, as manufactured by Truth Hardware, Owatonna, MN.

FIG. 1 16.18 AND 16.19 LOW PROFILE CASEMENT SASH LOCK (16.19) For Use With Tie Bar



NOTE:
 FOR PROPER KEEPER
 ALIGNMENT USE A
 MOUNTING TEMPLATE.

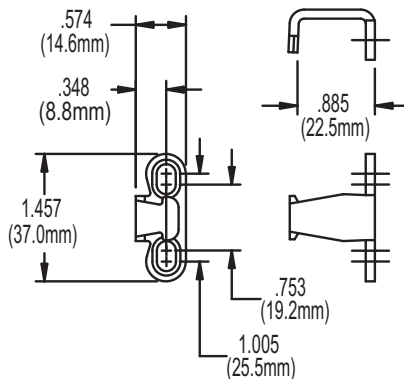
FIG. 2 KEEPER
 31344 (Steel) 31359 (SST)
 31358 (High-Strength)



AVAILABLE LOCKS	MOUNTING TEMPLATE	A
16.18	91555	.500
16.19		(12.7mm)

RECOMMENDED SCREWS:
 WOOD: 2 (P/N 19240) #8 X 1.0
 PHILLIPS, FLAT HEAD
 SHEET METAL SCREWS
 PVC/METAL: LENGTH AND THREAD
 TYPE DETERMINED BY PROFILE.
 STAINLESS STEEL SCREWS
 (P/N 19250) MUST BE USED WITH
 SST KEEPERS.

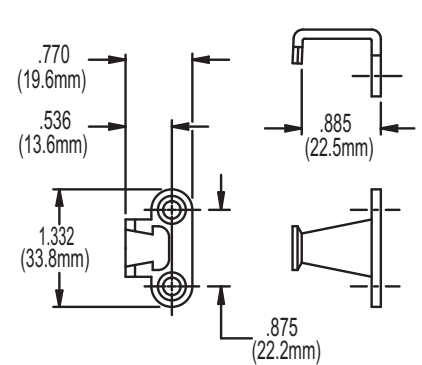
FIG. 3 SLOTTED KEEPER 31437



AVAILABLE LOCKS	MOUNTING TEMPLATE	A
16.18	91555	.500
16.19		(12.7mm)

RECOMMENDED SCREWS:
 WOOD: 2 (P/N 19240) #8 X 1.0
 PHILLIPS, FLAT HEAD
 SHEET METAL SCREWS
 PVC/METAL: LENGTH AND THREAD
 TYPE DETERMINED BY PROFILE.

FIG. 4 OFFSET KEEPER
 31345 (Steel)

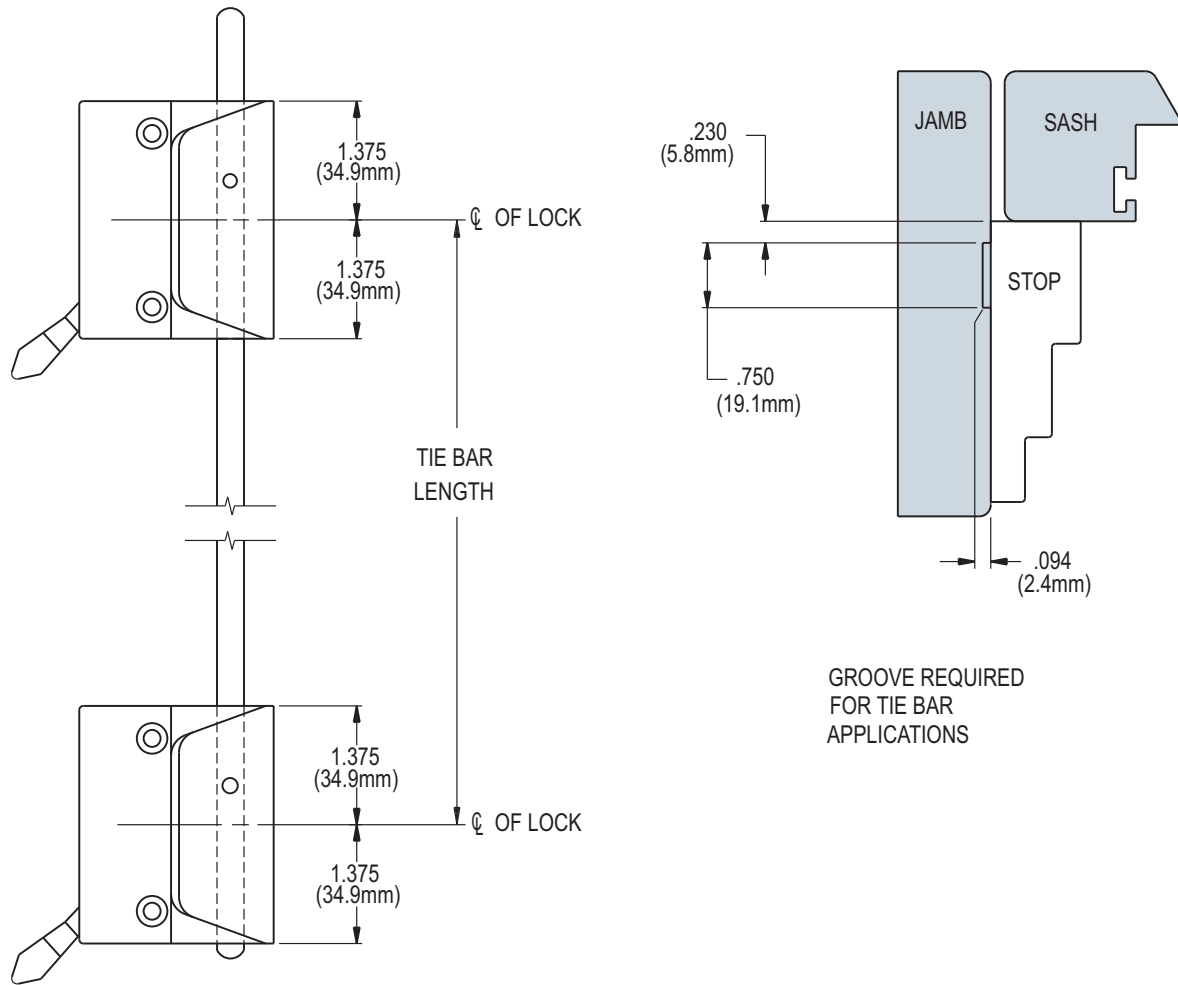


AVAILABLE LOCKS	MOUNTING TEMPLATE	A
16.18	91568	.312
16.19		(7.9mm)

RECOMMENDED SCREWS:
 WOOD: 2 (P/N 19240) #8 X 1.0
 PHILLIPS, FLAT HEAD
 SHEET METAL SCREWS
 PVC/METAL: LENGTH AND THREAD
 TYPE DETERMINED BY PROFILE.
 STAINLESS STEEL SCREWS
 (P/N 19250) MUST BE USED WITH

16 NON-HANDED, LOW PROFILE SASH LOCK

FIG. 5 APPLICATION OF TIE-BAR FOR LOW PROFILE CASEMENT SASH LOCK



LEFT HAND SHOWN

CONTACT TRUTH FOR AVAILABLE TIE BAR SIZES