



Engineered with a fresh new style and a streamline design that conceals the keeper under the housing, Truth's 9950 Series Lock and Keepers are a unique way to accent your window.

WARRANTY: Protected under the terms of the "Truth Warranty for Window & Door Manufacturers & Authorized Distributors". Refer to Truth's Terms & Conditions for further details.

MATERIAL: High-pressure, corrosion-resistant, die-cast zinc.

FINISH: Electrostatically applied, durable coatings that provide excellent resistance to chipping, scratching and corrosion while maintaining color stability for years in direct sunlight. Please refer to Truth's Color Chart for examples of Truth's most popular finish options. Truth also offers a wide range of decorative "plated" finishes – contact Truth for additional information on availability of these finishes on specific product lines.

ORDERING INFORMATION:

1. Choose the 9950 series lock required. See drawings for available options.
2. Order the 9954 series keeper.
3. Specify finish choice.

RECOMMENDED SCREWS:

Types of screws required determined by material of profile used. Refer to drawings for complete information on screw type and quantity needed (sold separately). For additional information on screw selection - see Truth Tips.

TRUTH TIPS:

1. When two locks are used on one window, the placement of each lock, with respect to its keeper, becomes very critical to maintain a constant weatherseal on all sides of the window and to insure that each lock engages properly with its keeper.
2. For accurate hardware placement in vinyl or metal applications, pre-drilling of the window profile is recommended.



3. For vinyl window applications, mounting screws should pass through two PVC walls, or one PVC wall and one insert wall. For this reason, it may be necessary to use a longer screw than is recommended.

4. For metal window profiles, Truth recommends stainless steel machine screws. However, in most applications, stainless steel sheet metal screws will provide adequate holding power.

INCLUDE TRUTH SPECS ON YOUR NEXT WINDOW PROJECT

Window check rail locks shall be included which will increase both security and weather seal tightness. The lock must provide easy operation and positive locked feel. The keeper should be concealed under the housing of the lock.

Window check rail locks will be of internal cam design to provide optimum pull-in to aid in sealing the meeting rails. The lock and accompanying keeper will prevent mis-alignment during locking. The lock and keeper shall be constructed of high pressure zinc alloy die castings.

Window locks shall be 9950 Series locks as manufactured by Truth Hardware.

9950 LOCK WITH CONCEALED KEEPER

FIG. 1 A09950400XX SASH LOCK

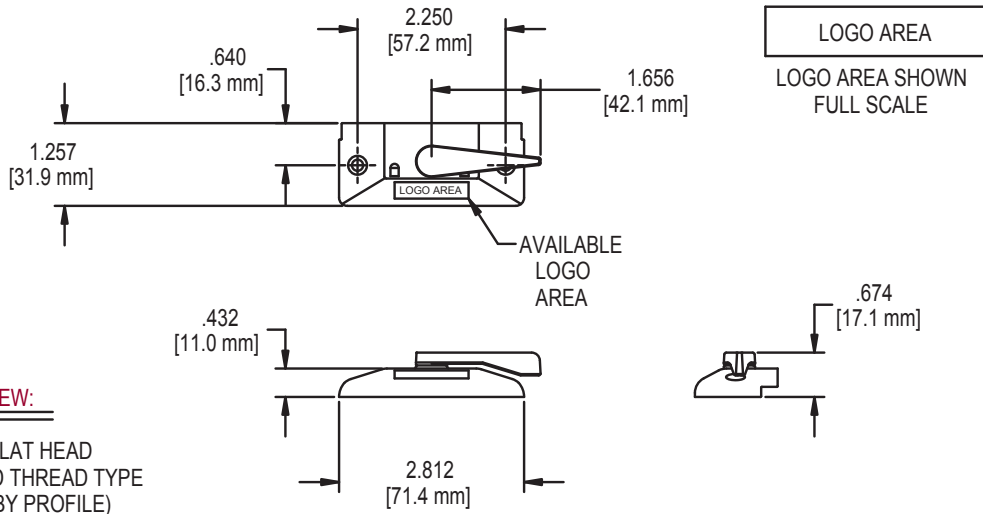


FIG. 2 A09950401XX SASH LOCK

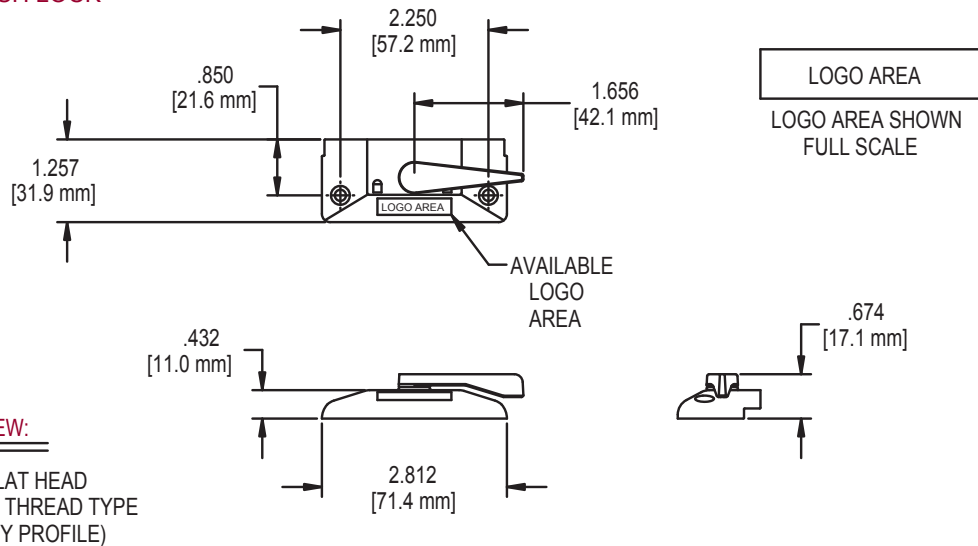


FIG. 3 C09954XX CONCEALED KEEPER

