



Truth Hardware's Adjustable Hinges are part of our exciting new Sentry Multi-Point Hinged Patio Door System offering. Engineered to provide maximum strength and security, the Sentry Hinges also provide both vertical and horizontal adjustment to create that perfect fit for your door.

STRONG

- The Sentry Adjustable hinges exceed ANSI grade 3 requirements by achieving 350,000 cycles on panel weights up to 220 lbs.
- These hinges also exceed ANSI grade 1 impact specifications.
- Extruded brass and extruded aluminum substrates provide superior strength and excellent corrosion resistance.

BEAUTIFUL

- Available with painted finishes over aluminum or decorative finishes over brass, including PVD.
- Truth Hardware provides matching finishes on the hinges to complement the look on all strike plates and handle sets.

SMART

- The 4" x 4" standard foot print with 5/8" corner radius fits a single pass routing pattern for easy installation.

SIMPLE

Install and adjust with no guessing, no accidental splitting, and no headaches.

- Large hex-head screws and intuitive indicators on Guide and Set Hinges allow for accurate vertical and horizontal adjustments using the same size hex-wrench.
 - o Guide Hinge – Horizontal adjustment of +/- .08 in. (+/- 2 mm)
 - o Set Hinge – Vertical adjustment of +/- .12 in. (+/- 3 mm)
- Set and Guide Hinges work in concert with one another allowing vertical and horizontal adjustments to occur.

- Mounting screw holes are located away from the panel edge to prevent splitting during installation.

SECURE

- Non-removable pins prevent tampering on out-swinging doors, providing maximum security for your customers.

SILENT

- Composite bushings allow for noise-free operation and a longer cycle life.

MATERIAL & FINISHES

Manufactured of extruded brass or aluminum for superior strength and excellent corrosion resistance. Decorative finishes over brass include: Antique Brass, PVD Brass, PVD Brushed Chrome, PVD Chrome, PVD Bronze, and PVD Nickel. Painted options over aluminum include; White, Beige, Faux Bronze and Black.

WARRANTY

Protected under the terms of the Truth Warranty for Window and Door Manufacturers and Authorized Distributors. Refer to Truth's Terms and Conditions for further details.

ORDERING INFORMATION

Order Adjustable Guide & Set Hinges separately and specify finish at time of ordering. 48.01.XX.100 Guide Hinge (LH)

48.01.XX.101 Guide Hinge (RH)

48.02.XX.100 Set Hinge (LH)

48.02.XX.101 Set Hinge (RH)

For multiple door sizes, see table below for recommended hinge requirements.

Should you require any additional application support – please contact Truth's Application Specialists directly.



TRUTH TIPS

1. For easy correction of out of square or racked door installations, the use of Truth Jamb Jack frame adjusters are recommended. Frame adjustment can improve weatherseal tightness and door operation over the life of the door.
2. See Tech Notes for information dealing with the care of plated decorative finishes.

**ADJUSTABLE HINGE
HARDWARE SPECIFICATIONS**

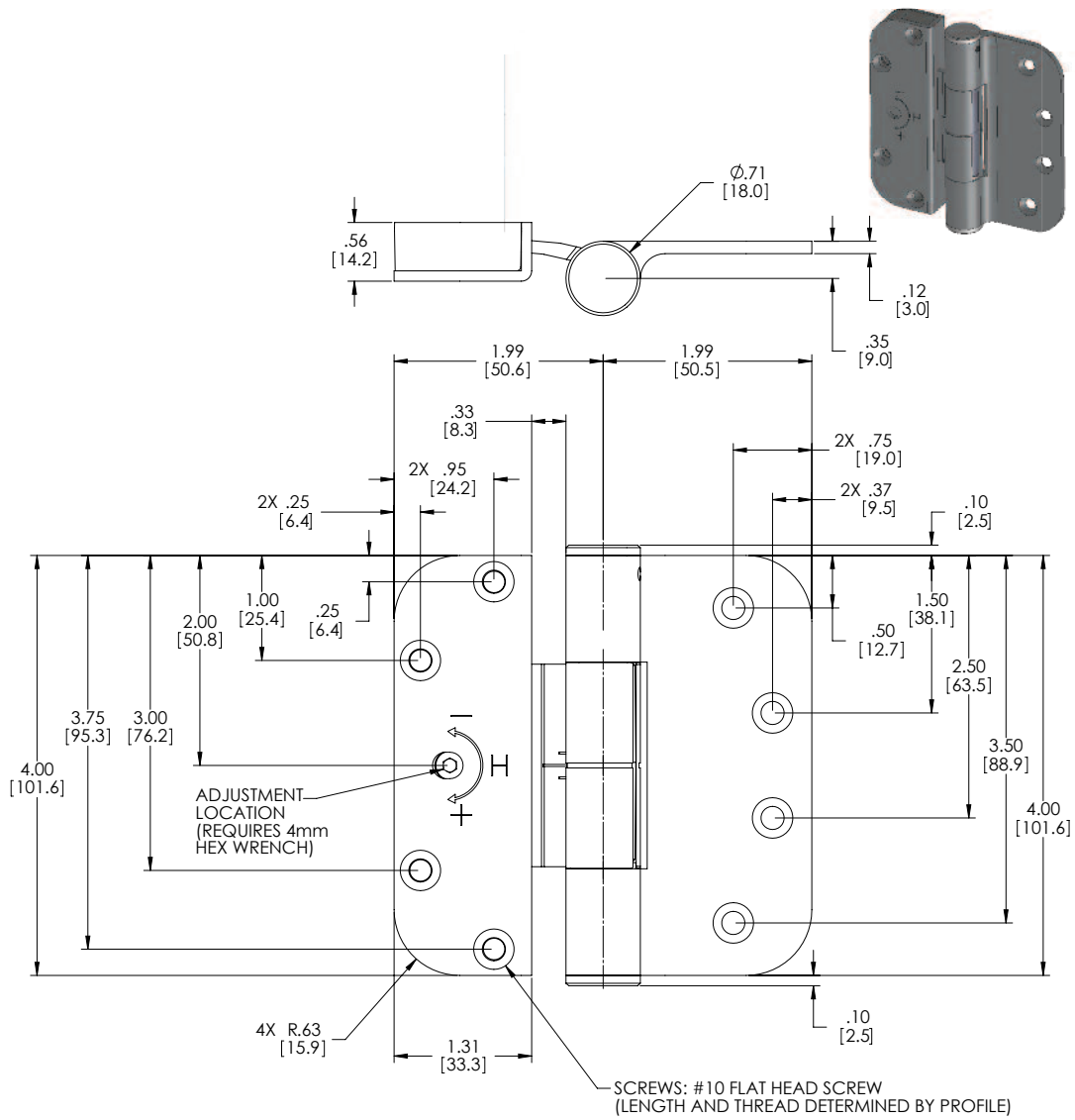
Adjustable Hinge Hardware for hinged patio doors which provide easy, intuitive adjustability and security. Adjustable Hinges shall allow for vertical and horizontal adjustment with non-removable pins to prevent tampering in out-swinging doors.

Adjustable Hinges shall be Sentry™ Adjustable Hinges manufactured by Truth Hardware.

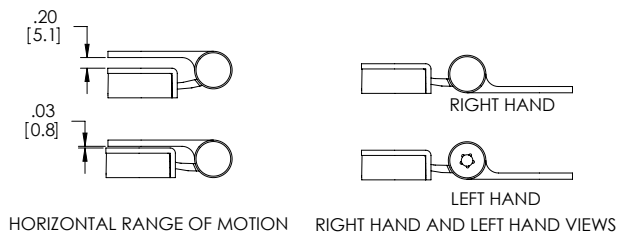
# of Hinges	3	4	4	5
Door Panel Wt.	0-220 lbs	0-220 lbs	220-350 lbs	220-350 lbs
Top to Bottom Hinge Order	Guide	Guide	Guide	Guide
	Set	Guide	Set	Guide
	Guide	Set	Set	Set
		Guide	Guide	Set
				Guide

SENTRY™ ADJUSTABLE HINGES

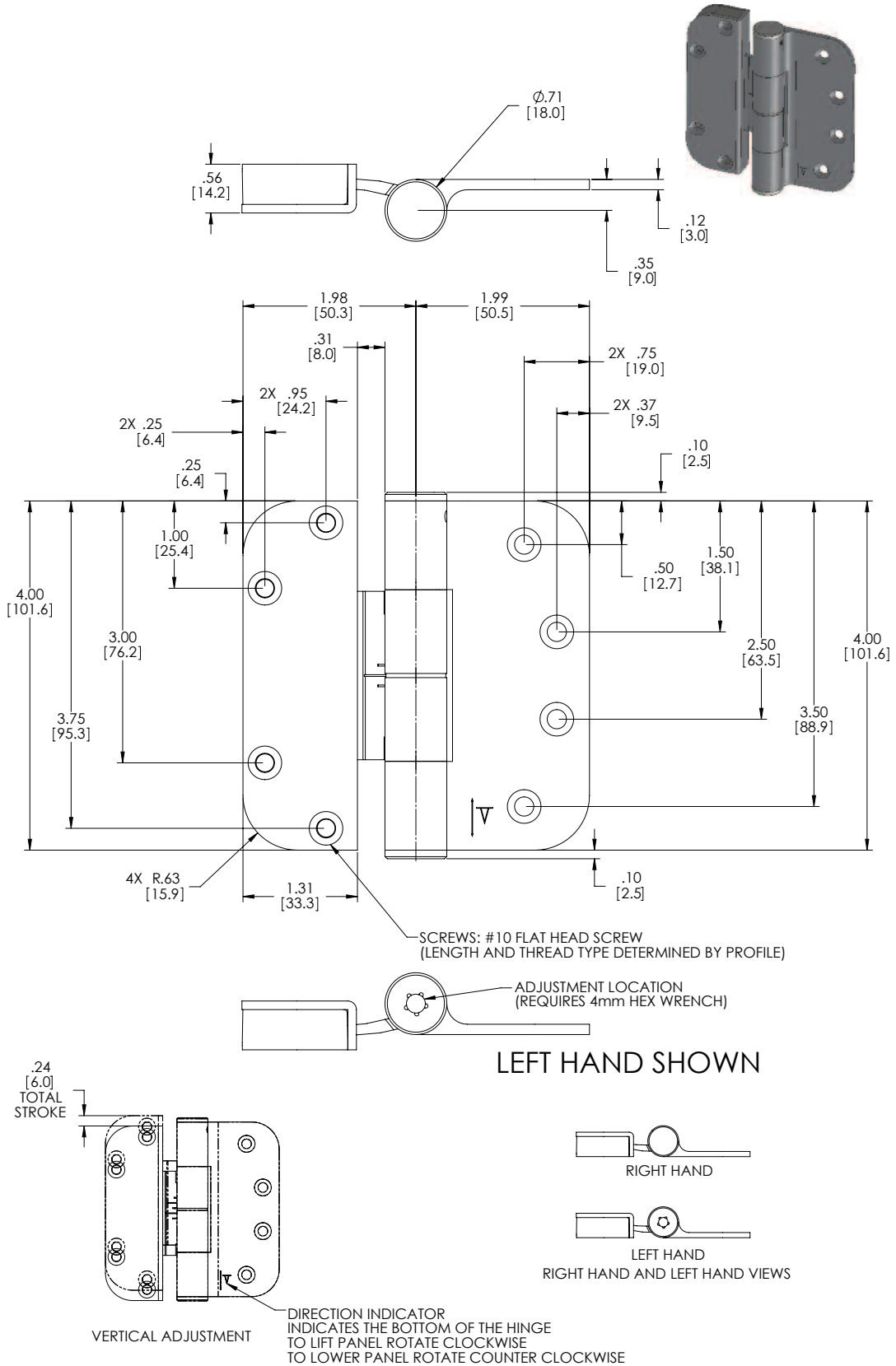
FIG. 1 SENTRY HINGED PATIO DOOR ADJUSTABLE HINGES
48.01 HORIZONTAL GUIDE HINGE



LEFT HAND SHOWN



**FIG. 2 SENTRY HINGED PATIO DOOR ADJUSTABLE HINGES
48.02 VERTICAL SET HINGE**



SENTRY™ ADJUSTABLE HINGES

FIG. 3 SENTRY HINGED PATIO DOOR ADJUSTABLE HINGES
JAMB PREPARATION

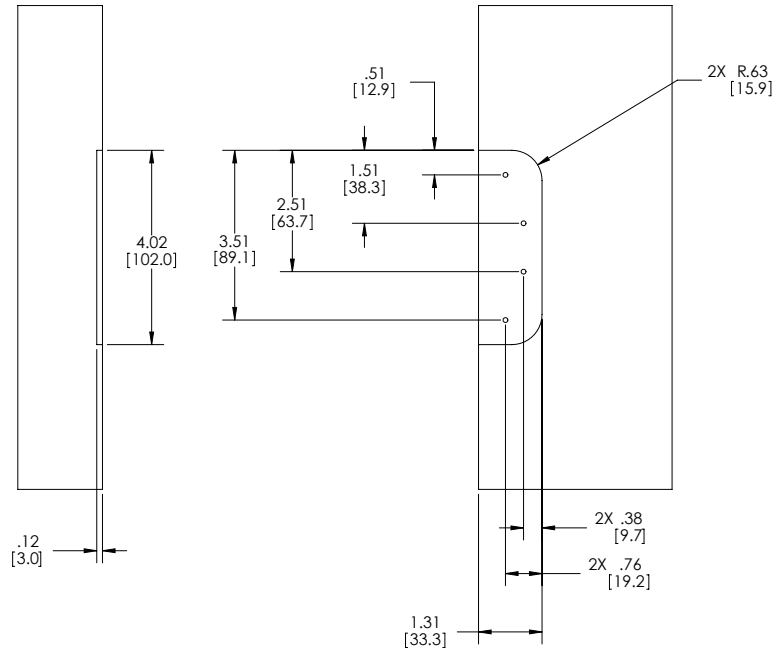
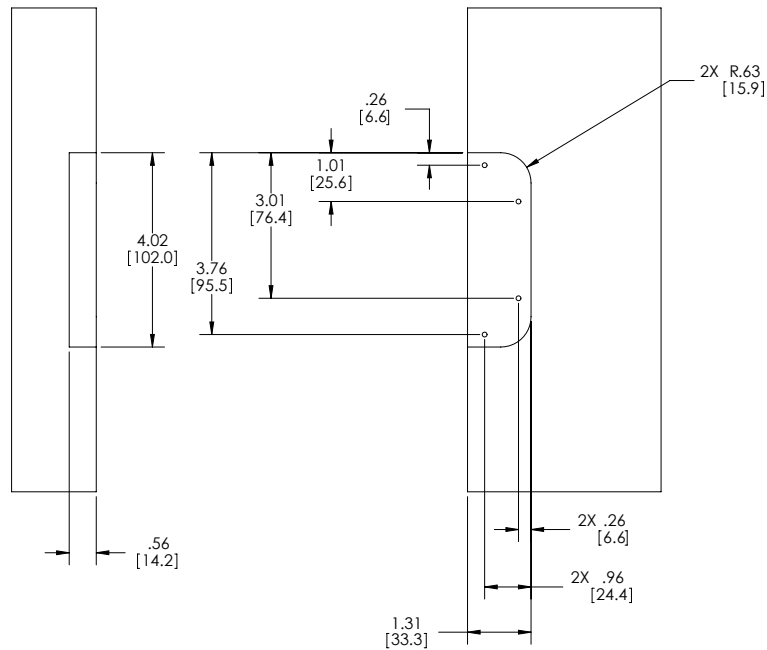
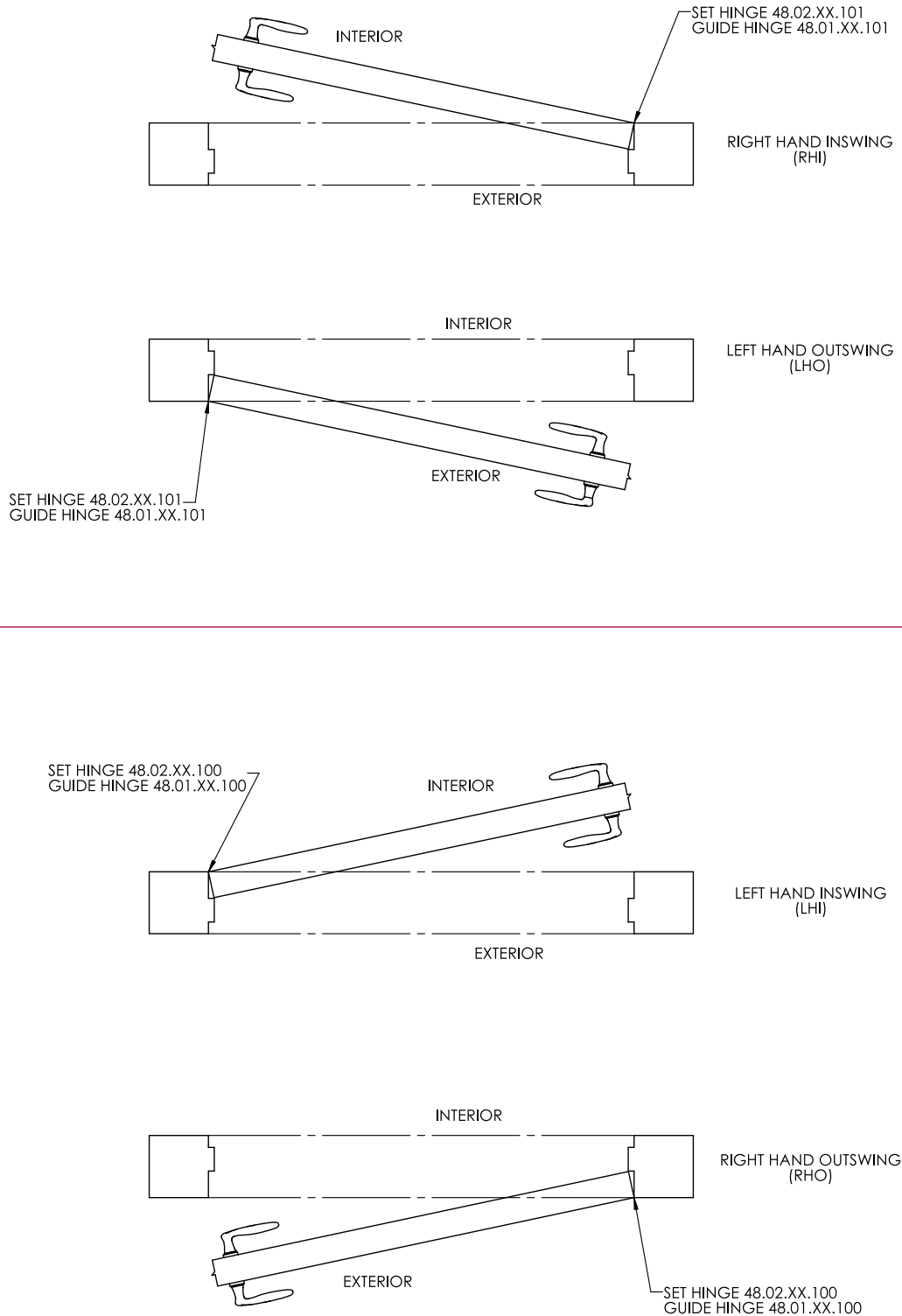


FIG. 4 SENTRY HINGED PATIO DOOR ADJUSTABLE HINGES
DOOR PANEL PREPARATION



**FIG. 5 SENTRY HINGED PATIO DOOR ADJUSTABLE HINGES
DOOR ORIENTATION**



**SENTRY™ ADJUSTABLE
HINGES**



700 WEST BRIDGE STREET, OWATONNA, MN 55060 ■ 507.451.5620 800.866.7884 ■ TRUTH.COM