

- Truth's attractive and economically priced #2992 Series sliding patio door handles are made of a durable single-piece die-cast construction. This means there is no escutcheon to buy or assemble.
- The #2992 series has the ability to use industry standard single mortise-type locks, such as Truth's #32435, #32436, #32461, and #32439 series.
- The #2992 series outside handle is available with or without lock cylinder, and may be used as an outside pull with our premium single point mortise lock inside pulls, such as #2995, #2889 and #2994.
- Non-handed, these #2992 series inside handles may also be combined with Truth's standard outside pulls (#2939 and #2949) for differentiated appearance and price points.
- Industry compatible mounting hole pattern makes the #2992 series interchangeable with all popular handle sets for OEM and retrofit.
- Extended bosses on the inside and outside bases prevent slippage and creep.
- Different lever lengths and fasteners are available to accommodate various door widths (stile thickness).
- The unique design of the #2992 Series Handle Sets provides for extra security - as no screws are accessible from the outside.

### MATERIAL & FINISHES:

Available in painted zinc die cast. Paint finishes are electrostatically applied, durable coatings that provide excellent resistance to chipping, scratching and corrosion while maintaining color stability color stability for years in direct sunlight. Please refer to Truth's Color Chart for examples of Truth's most popular finish options.

### WARRANTY:

Protected under the terms of the Truth Warranty for Window and Door Manufacturers and Authorized Distributors. Refer to Truth's Terms & Conditions for further details.



### ORDERING INFORMATION:

To customize the hardware package\* containing the specific items you require for your door system, please select from the following options:

1. Order non-handed 2992 Series Inside Handle Set (which includes: #32420.XX Inside Pull/Escutcheon and #32362.XX Lever).
2. Select 2992 Series Outside Handle (for other available options - see table in Fig. 1 or Outside Pull catalog section)
3. Select Mortise Lock and Keeper item numbers (see table in Fig. 1 or Mortise Lock & Keeper Section for further details).
4. Specify finish
5. Specify fasteners. Note: Please specify door panel thickness to determine screw length required.

Optional Hardware (sold separately)

- Key Lock Cylinder
  - Specify thickness of door.
  - Specify keyed-alike, keyed different or master-key option.

### Special Ordering Notes:

- Handle assembly mounts with two

#8 machine screws through the stile and into the tapped holes in the exterior pull.

- When used with an exterior key lock cylinder, consult key lock cylinder blade length table in Fig. 5 of Handleset Accessories section. Stock drive blade lengths are: .530", .660", .750", .810", 1.200" and 1.300".

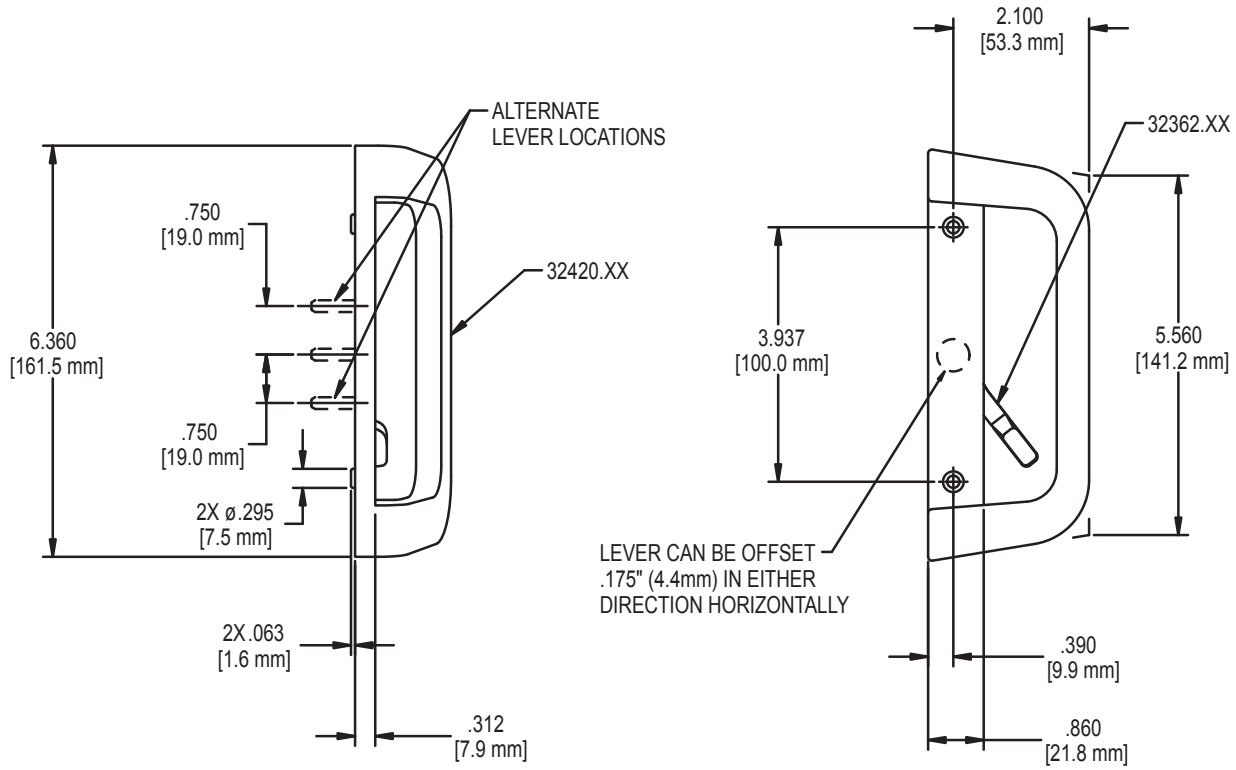
*\* Contact your Truth Representative after you have made the above selections so that a customized "kit" package can be created to simplify your ordering.*

### TRUTH TIPS:

1. A Truth Hardware Secondary Patio Door Lock or Limiter can be added for applications requiring additional security.
2. Bumper guards (Truth item number 22082.XX), to keep door sash from contacting the opposite jamb during its travel, are highly recommended (see Handleset Accessories section).
3. The use of frame adjusters (Jamb Jacks) is recommended for easy correction of out of square or racked door installations. Frame adjustment can improve both weather seal tightness and door operation over the

# 2992 PATIO DOOR HANDLE SETS

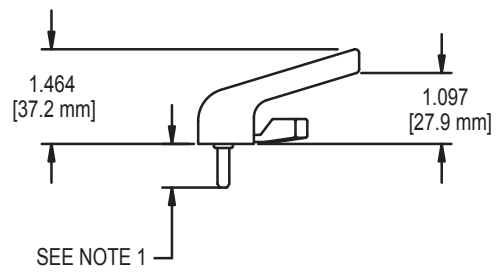
FIG. 1 2992 SERIES INSIDE PULL



AVAILABLE OUTSIDE PULLS		
DESCRIPTION	PART NO.	"X" (SEE NOTE 2)
2992 W/O CYL	32420.XX/32431.XX	.246 (6.2mm)
2992 W CYL	32431.XX-32426.XX	
*2949 W/O CYL	32434.XX	.621 (15.8mm)
*2949 W CYL	32438.XX	
*2939 W/O CYL	32442.XX	
*2939 W CYL	32479.XX	

.XX INDICATES FINISH  
 \*SEE OUTSIDE PULL CATALOG SECTION FOR DETAILS

- NOTES:
1. BLADE LENGTH = 1/2 DOOR THICKNESS WHEN USED WITH LOCK CYLINDER (WILL VARY; FORMULA BASED ON CENTERED MORTISE LOCK)
  2. MOUNTING SCREW LENGTH = DOOR THICKNESS + "X"

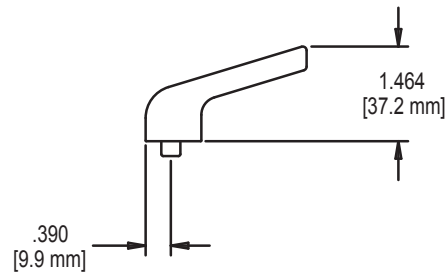
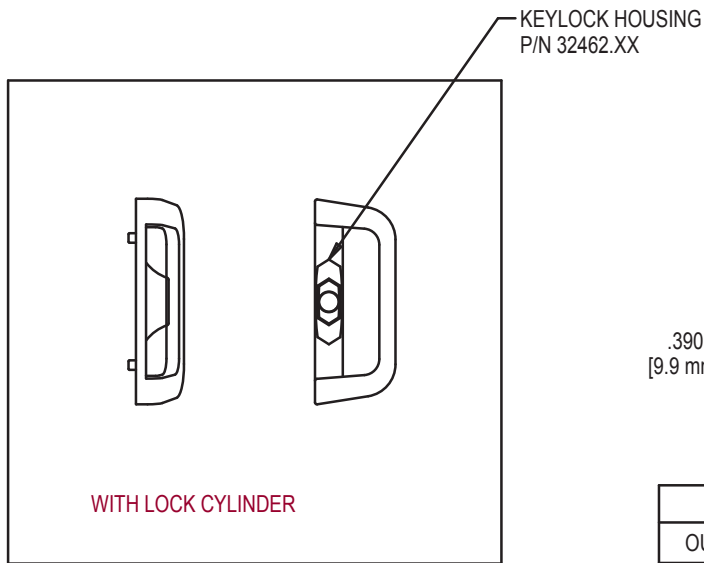
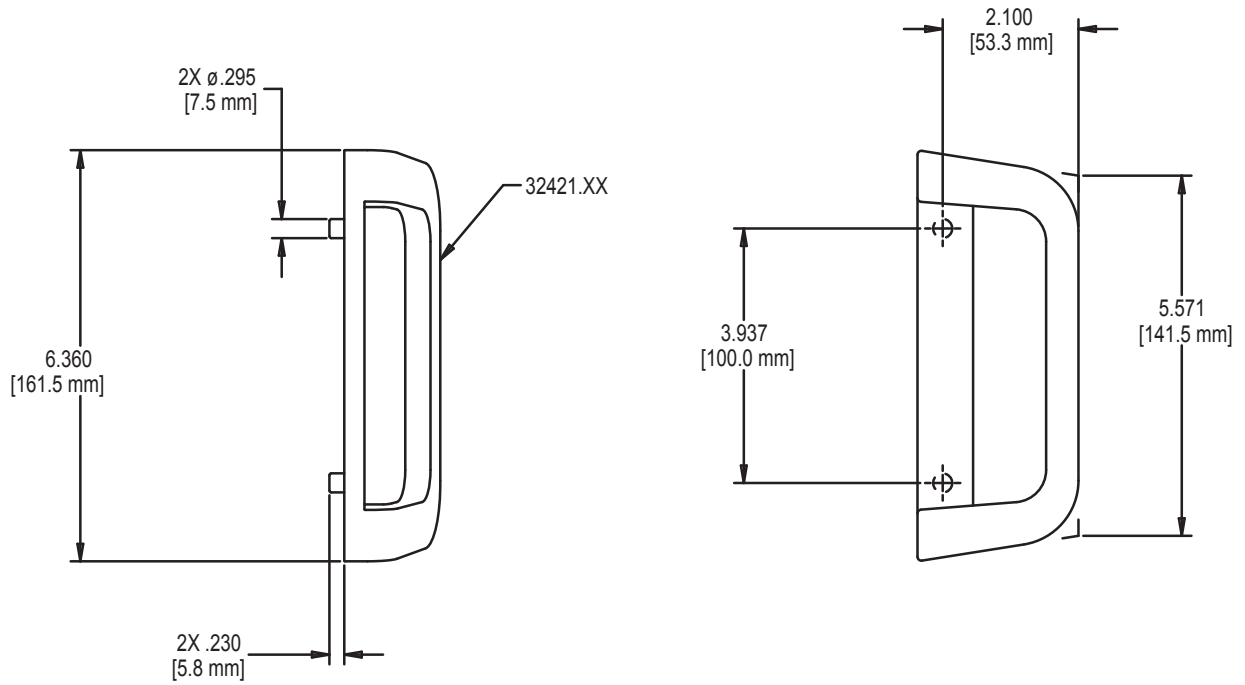


HARDWARE SHOWN	
INSIDE PULL/ESCUTCHEON	32420.XX
LEVER	32362.XX

**AVAILABLE MORTISE LOCKS
32435
32436
32461
32439

\*\*SEE MORTISE LOCK CATALOG SECTION FOR DETAILS

FIG. 2 2992 SERIES OUTSIDE PULL



HARDWARE SHOWN	
OUTSIDE PULL/ESCUTCHEON	32421.XX
LOCK CYLINDER HOUSING	32462.XX

NOTES:

1. HANDLE IS TAPPED TO ACCEPT 8-32 MOUNTING SCREWS
2. KEY CYLINDER IS ORDERED SEPARATELY

