



Telescoping Push Bar Operators are designed for residential use as a means of opening and closing sashes with fixed screens. They are most commonly used for holding open outward-projected windows which are screened from the inside. The telescoping arm provides extended window opening up to 14.5" (368.3 mm). The Push Bar cams cover the nylon escutcheon and compresses the spring up to .187" (4.8 mm) so that the window is pulled tightly to the frame which helps to eliminate air infiltration. Sliding action of the Aluminum Push Bar through the nylon escutcheon insures smooth operating and long wearing movement.

FEATURES: The Truth Push Bar can easily be disengaged by depressing the index button on the operator arm to allow maximum window opening and for maintenance and easy assembly. Left or right-handed operation can be achieved by locating the lock bracket to either side of the yoke. This lock bracket can be mounted with the bar hooked from underneath or reversed so the bar can be hooked from the top position for clearing high sills.

PRODUCT APPLICATION

ASSISTANCE: If you are designing a new window profile, or are having difficulty selecting hardware for your window, please contact Truth. Our highly trained Product Specialists can assist you with the selection of the appropriate hardware to meet your performance requirements, as well as providing personalized application drawings.

WARRANTY:

Protected under the terms of the Truth Warranty for Window and Door Manufacturers and Authorized Distributors. Refer to Truth's Terms and Conditions for further details.

MATERIAL: Track and bar made of aluminum extrusion 6063-T6, and assembled with aluminum and brass stampings. Nylon escutcheon and lock bracket.

FINISH: Caustic etch clear iridite (spec. MIL.-C-5541). Also available in baked polyurethane finish in white, bronze and gold.



ORDERING INFORMATION:

1. Specify yoke length (see table for standard yoke lengths and part numbers).
2. Specify length desired (standard or short).
3. Specify finish.

RECOMMENDED SCREWS:

Types of screws required determined by material of profile used. See Tech Note #11. Refer to drawings for complete information on screw type and quantity needed (sold separately).

TRUTH TIPS

1. For accurate hardware placement in vinyl or metal applications, pre-drilling of the window profile is recommended.
2. For vinyl window applications, mounting screws should pass through two PVC walls, or one PVC wall and one insert wall. For this reason, it may be necessary to use a longer screw than is recommended.
3. For metal window profiles, Truth recommends machine screws. However, in most applications, sheet metal screws will provide adequate holding power.

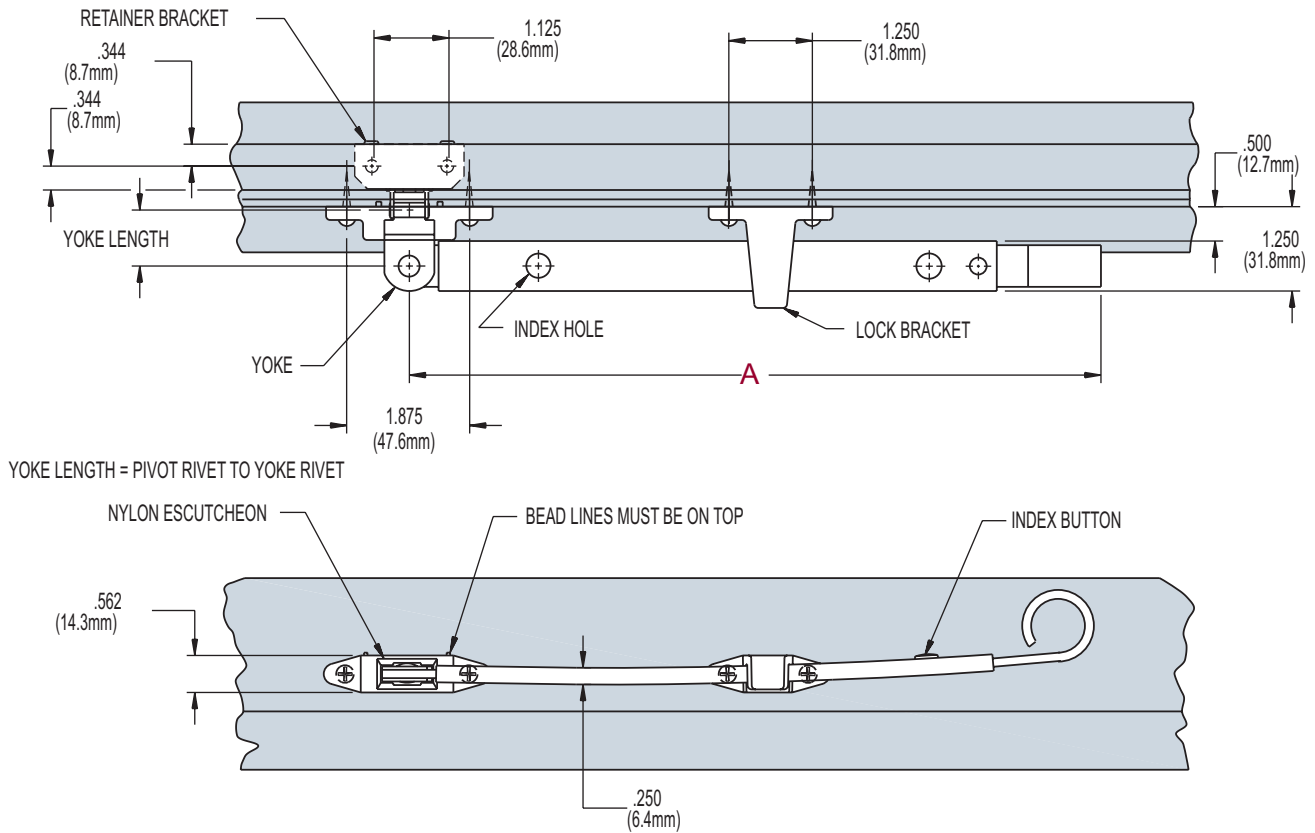
INCLUDE TRUTH SPECS ON YOUR NEXT WINDOW PROJECT

Window push bars shall be provided which allow easy adjustment of window position. The push bar must be telescoping to allow a large open sash projection while taking up a minimum of sill space when closed and stored. Window push bars will be of telescoping design which incorporates a spring loaded sash bracket to insure tight weatherstrip seal. The push bar must be constructed of 6063-T6 aluminum and brass stampings. The escutcheon and lock brackets molded of nylon.

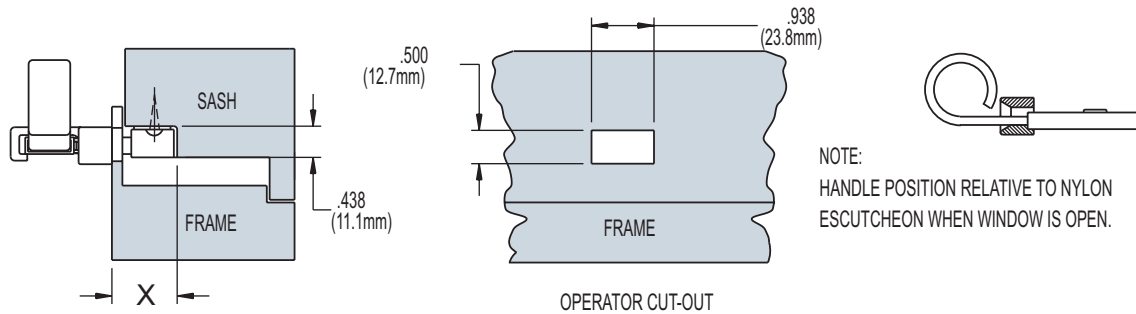
Window operators shall be 12 series Push Bar as manufactured by Truth Hardware.

12 TELESCOPING PUSH BAR OPERATORS

FIG. 1 APPLICATION OF TRUTH TELESCOPING PUSH BAR OPERATOR (ANDERBERG 44AL SERIES)



TRUTH PART NO.	X DIMENSION	YOKE LENGTH	A	
			CLOSED	EXTENDED
12.40	.938 (23.8mm)	.782 (19.8mm)	10.500 (266.7mm)	16.250 (412.8mm)
12.41	1.0 (25.4mm)	.844 (21.4mm)	10.500 (266.7mm)	16.250 (412.8mm)
12.42	1.0 (25.4mm)	.844 (21.4mm)	8.0 (203.2 mm)	11.0 (279.4mm)
12.43	1.094 (27.8mm)	.938 (23.8mm)	10.500 (266.7mm)	16.250 (412.8mm)
12.44	1.438 (36.5mm)	1.282 (32.5mm)	10.500 (266.7mm)	16.250 (412.8mm)
12.45	1.562 (39.7mm)	1.406 (35.7mm)	10.500 (266.7mm)	16.250 (412.8mm)
12.46	1.562 (39.7mm)	1.406 (35.7mm)	8.0 (203.2mm)	11.0 (279.4mm)

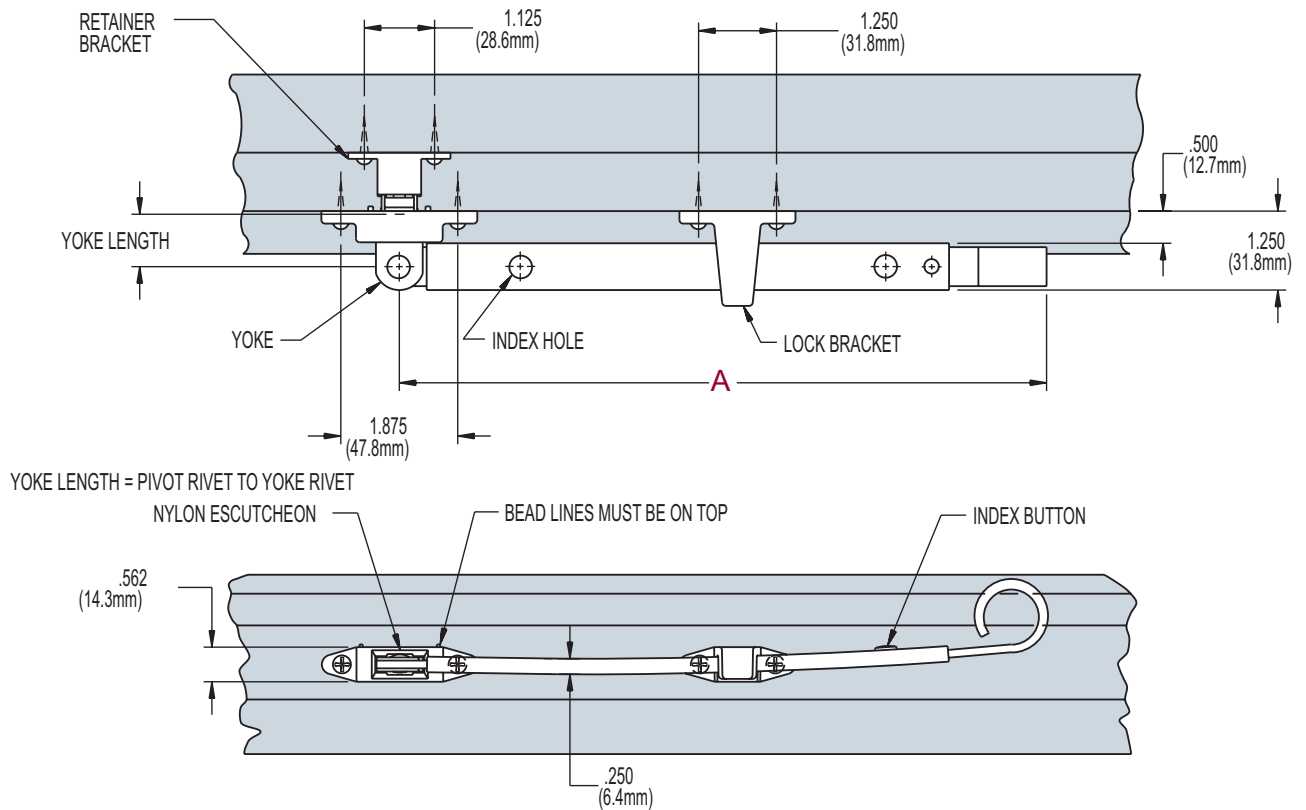


RECOMMENDED SCREWS:

WOOD : 6 - #10 X .750 PHILLIPS, PAN HEAD, SHEET METAL SCREWS

PVC/METAL : 6 - #10 PHILLIPS, PAN HEAD SCREWS (LENGTH AND THREAD TYPE DETERMINED BY PROFILE)

FIG. 2 APPLICATION OF TRUTH TELESCOPING PUSH BAR OPERATOR (ANDERBERG 44WD SERIES)

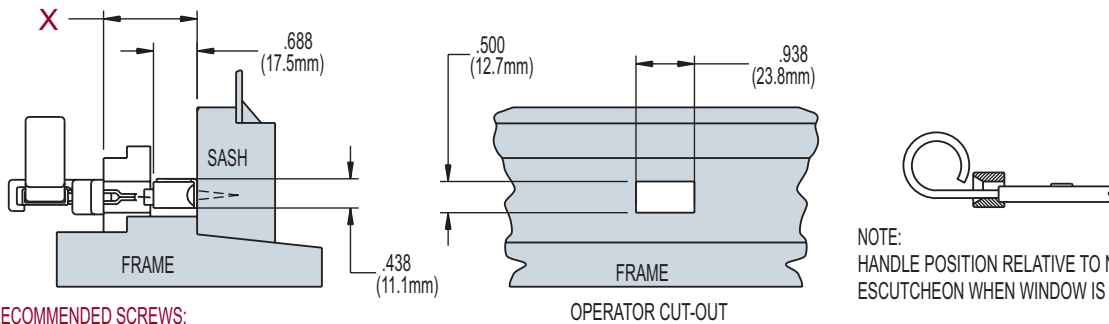


YOKE LENGTH = PIVOT RIVET TO YOKE RIVET

NYLON ESCUTCHEON BEAD LINES MUST BE ON TOP

INDEX BUTTON

TRUTH PART NO.	X DIMENSION	YOKE LENGTH	A	
			CLOSED	EXTENDED
12.48	.938 (23.8mm)	.782 (19.8mm)	8.0 (203.2mm)	11.0 (279.4mm)
12.50	1.0 (25.4mm)	.844 (21.4mm)	8.0 (203.2mm)	11.0 (279.4mm)
12.51	1.438 (36.5mm)	1.282 (32.5mm)	10.500 (266.7mm)	16.250 (412.8mm)
12.52	1.438 (36.5mm)	1.282 (32.5mm)	8.0 (203.2mm)	11.0 (279.4mm)
12.53	1.562 (39.7mm)	1.406 (35.7mm)	10.500 (266.7mm)	16.250 (412.8mm)
12.54	2.0 (50.8mm)	1.844 (46.8mm)	8.0 (203.2mm)	11.0 (279.4mm)
12.57	1.562 (39.7mm)	1.406 (35.7mm)	8.0 (203.2mm)	11.0 (279.4mm)



RECOMMENDED SCREWS:

WOOD : 6 - #10 X .750 PHILLIPS, PAN HEAD, SHEET METAL SCREWS

PVC/METAL: 6 - #10 PHILLIPS, PAN HEAD SCREWS (LENGTH AND THREAD TYPE DETERMINED BY PROFILE)



700 WEST BRIDGE STREET, OWATONNA, MN 55060 ■ 507.451.5620 800.866.7884 ■ TRUTH.COM
