

ENCORE™ REVERSE DYAD OPERATOR (LOW PROFILE)

FIG. 7 APPLICATION OF ENCORE REVERSE DYAD OPERATOR (SILL MOUNT VERSION) (LOW PROFILE)

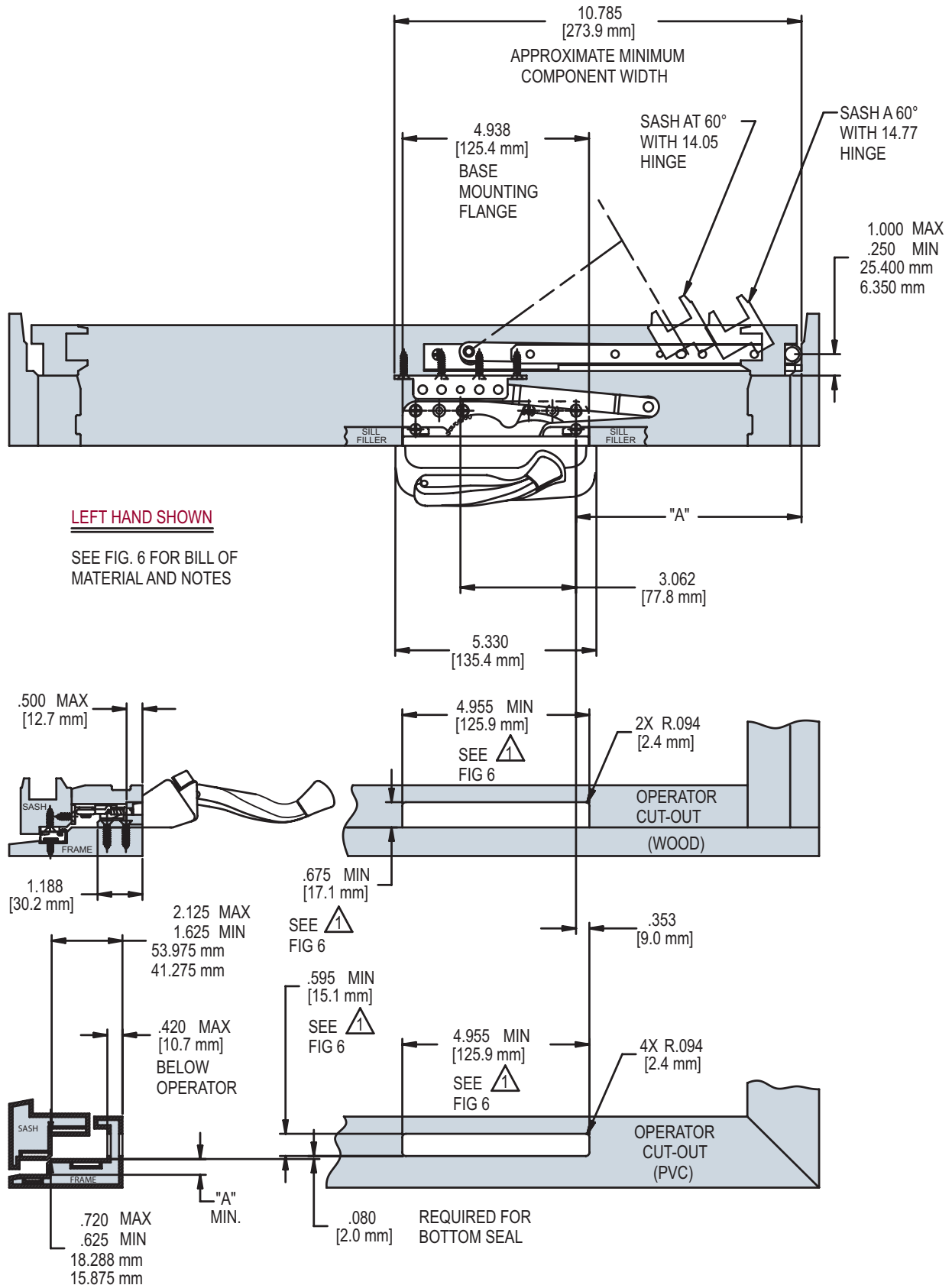
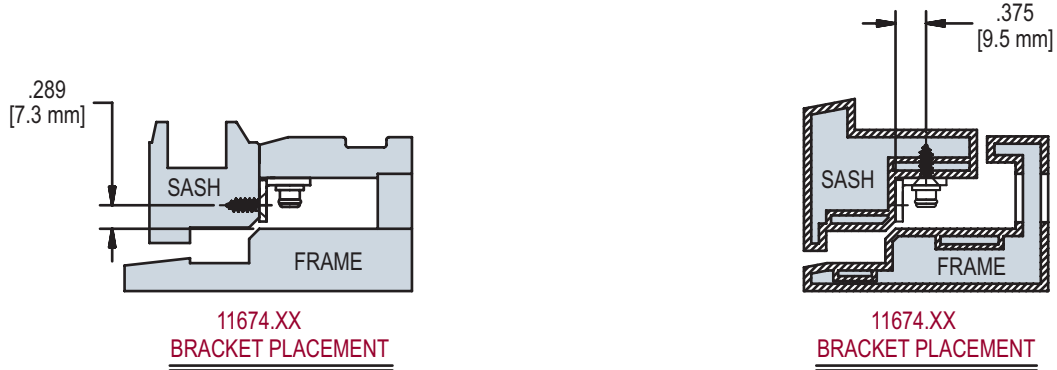


FIG. 8 APPLICATION OF ENCORE REVERSE DYAD OPERATOR CONTINUED (SILL MOUNT VERSION) (LOW PROFILE)



HARDWARE SHOWN FOR LEFT HAND WINDOW, SEE FIG. 7

PART NUMBER	DESCRIPTION
50.81.00.011	REVERSE DYAD OPERATOR
11674.XX	STUD BRACKET
14.05.00.XXX	HINGE
12616.XX	TANGO HANDLE/COVER PACK
32658	GASKET (PVC)

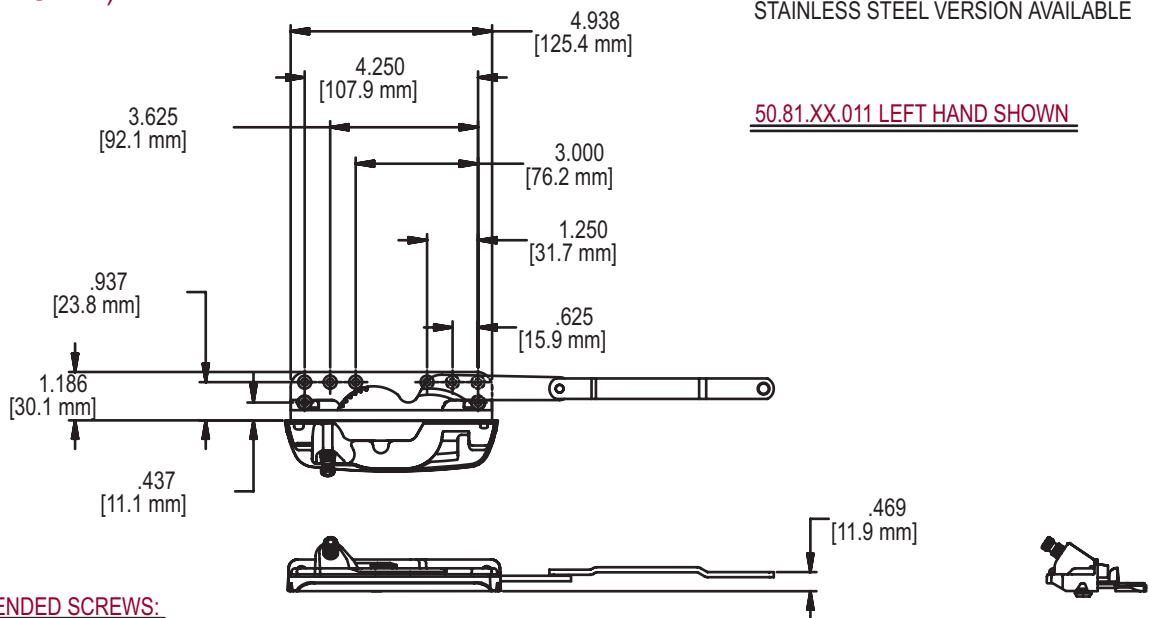
HINGE	"A"
14.05.00.XXX	5.973 [151.7 mm]
14.77.00.XXX	5.532 [140.5 mm]

NOTES:

1. HOLD THIS DIMENSION AS CLOSE TO THE MINIMUM AS MANUFACTURING TOLERANCES ALLOW. A CLOSE FITTING CUT-OUT HELPS TO STABILIZE THE OPERATOR AGAINST ROCKING.
2. GASKET 32658 IS REQUIRED ON PVC AND METAL PROFILES FOR AN IMPROVED AIR AND WATER SEAL
3. HANDLE/COVER PACK IS OPPOSITE HAND ON ENCORE DYAD OPERATOR. EXAMPLE: LH ENCORE REVERSE DYAD OPERATOR REQUIRES A RH HANDLE/COVER

ENCORE™ REVERSE DYAD OPERATOR (LOW PROFILE)

FIG. 9 ENCORE REVERSE DYAD OPERATOR (SILL MOUNT VERSION) (LOW PROFILE)



RECOMMENDED SCREWS:

(QTY 6)(PN 19240.XX)#8 X 1 FLAT HEAD SHEET METAL SCREW (SEE TRUTH TIPS FOR MORE INFORMATION)

(QTY 2)REAR MOUNT:#8-32 X 3/8 PAN HEAD MACHINE SCREW PN 19545.XX

FIG. 10 ENCORE TANGO HANDLE/COVER 12616.XX(RH) (SHOWN) 12614.XX(LH)

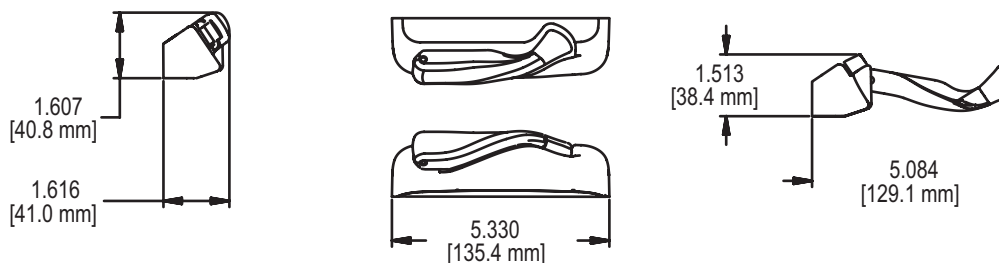
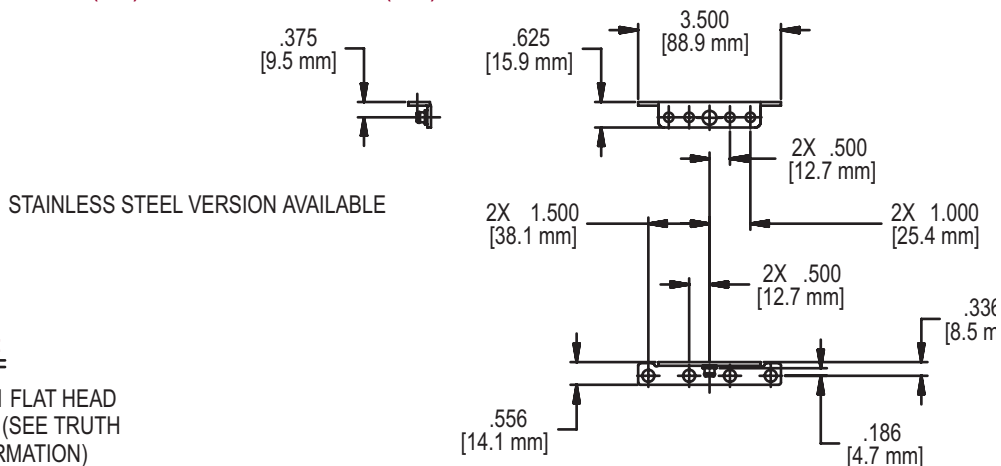


FIG. 11 STUD BRACKET 11661.XX(LH) SHOWN, 11662.XX(RH)



RECOMMENDED SCREWS:

(QTY 4)(PN 19240.XX)#8 X 1 FLAT HEAD SHEET METAL SCREW (SEE TRUTH TIPS FOR MORE INFORMATION)