

**STYLISH & EFFICIENT**

With its sleek, low-profile design, homeowners will love the fact that in either the locked or unlocked position it doesn't interfere with curtains or blinds. With its attractive painted finish, the locks' all-metal handle & base precisely match the color of your vinyl profile.

Homeowners will appreciate the extended "reach-out" capability. Instead of having to fully close the window before locking it, all you do now is close the window to within .625" (15.8 mm) and turn the "one" lock.

EASE OF INSTALLATION

Truth's locking system for vinyl casement windows is now easier to install than ever before. With less parts than comparable models, Truth's #24.84 Locking System is designed with parts that actually align themselves!

The self-locating snap-on tie bar guides have "feet" protruding from within, that automatically "index" the tie bar the correct distance away from the frame, for precise installation everytime! The keepers too, have these unique "feet" designed into their construction to insure accurate hardware placement. Contact Truth for the guides and keepers specially created for your profile. And even the tie bar itself, which has been designed so it will connect directly to the lock without the need for any additional screws, has been created with the manufacturer in mind.

DELAYED LOCKING OPERATION

The heart of this system is the "progressive" locking action. The first half of the handle's rotation fully engages the keeper closest to the bottom of the window, near the operator. The second half of the handle's rotation then engages and pulls-in the keeper at the top of the sash. Thus, you have Truth's positive sequential locking of the window.

WEATHER-TIGHT

A special O-ring around the base is an added feature Truth has included to ensure that the assembly is completely sealed against the leakage of air, water, or light.

WARRANTY:

Protected under the terms of the Truth Warranty for Window and Door Manufacturers and Authorized Distributors. Refer to Truth's Terms and Conditions for further details.

MATERIAL: High pressure zinc die-cast handle and case. Steel tie bar. Keepers made of either steel or UV stabilized acetal.

E-GARD® HARDWARE

Truth's E-Gard® has a multi-stage coating process that produces a superior physical and aesthetic finish. Plus, it is resistant to a wider range of corrosive materials, including industrial cleaning materials and environmental pollutants. This proprietary process has been tested to be approximately three times better than common zinc plated finishes.

FINISH: Electrostatically applied, durable coatings that provide excellent resistance to chipping, scratching and corrosion while maintaining color stability for years in direct sunlight. Please refer to Truth's Color Chart for examples of Truth's most popular finish options. Truth also offers a wide range of decorative "plated" finishes - contact Truth for additional information on availability of these finishes on specific product lines.

ORDERING INFORMATION:

Contact Truth for an application drawing providing complete details on your specific window profiles.

1. Order part #24.84
2. Specify finish number.
3. Specify left or right hand (determined by the hinge side when viewed from the outside).



4. Order keepers by part number - refer to chart. Handed the same as the lock.
5. Specify tie bar needed by length - refer to chart.
6. Specify Tie Bar Guides by number - refer to chart.

RECOMMENDED SCREWS:

Types of screws required determined by material of profile used. See Tech Note #11. Refer to drawings for complete information on screw type and quantity needed (sold separately).

TRUTH TIPS:

1. For accurate hardware placement in vinyl or metal applications, pre-drilling of the window profile is recommended.
2. For vinyl window applications, mounting screws should pass through two PVC walls, or one PVC wall and one insert wall. For this reason, it may be necessary to use a longer screw than is recommended.
3. For metal window profiles, Truth recommends machine screws. However, in most applications, sheet metal screws will provide adequate holding power.
4. Truth recommends that a Snubber be used at the center of the hinge side on any casement window which has a tendency to bow outwardly at the center in the closed position. Adding a Snubber may increase the negative air pressure rating of the window.

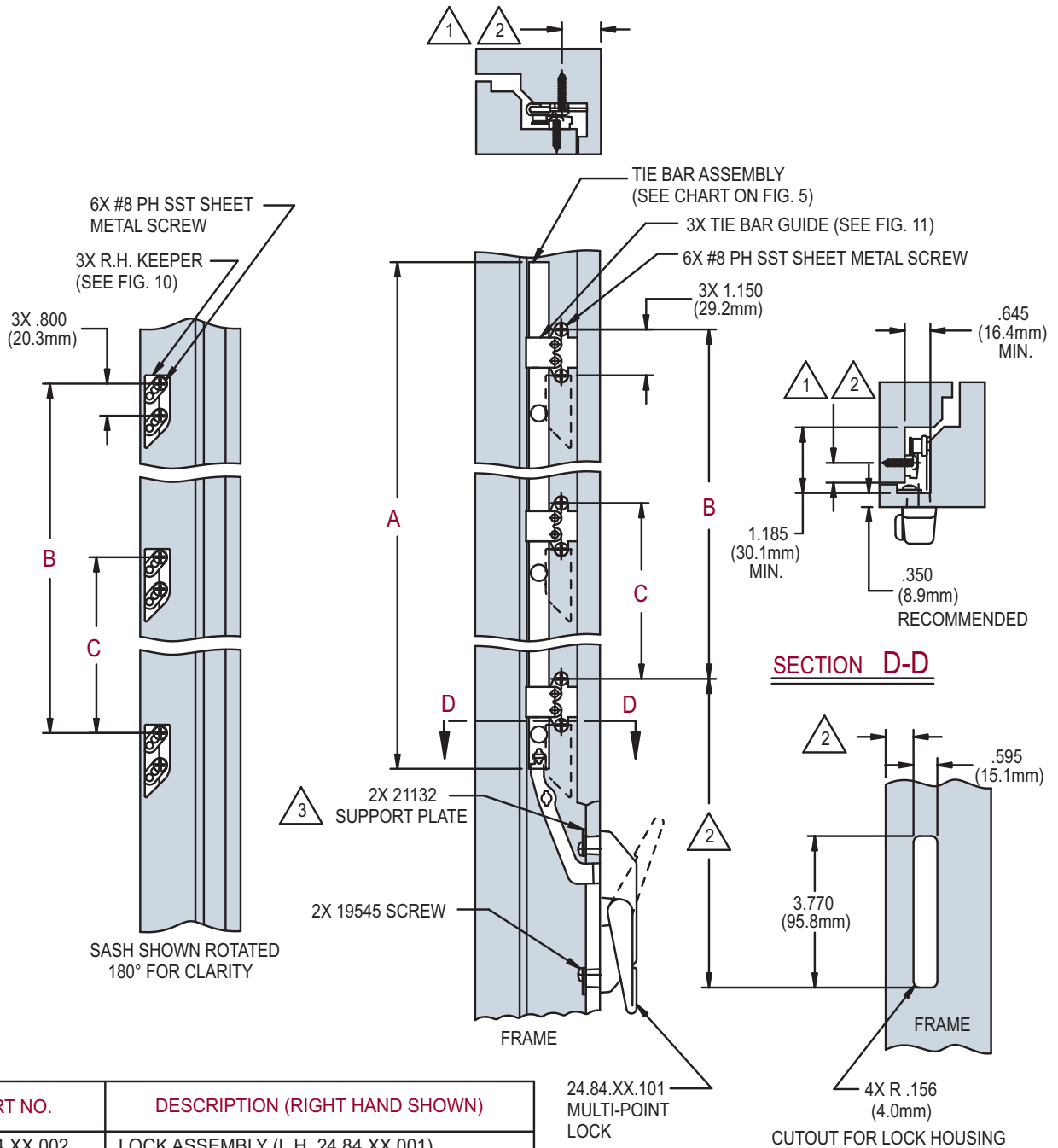
**INCLUDE TRUTH SPECS ON
YOUR NEXT WINDOW PROJECT**

Window locking system shall be included which will increase both security and weather seal tightness. The locking points must hold securely for negative air pressure and forced entry resistance.

Window sash locks will be used which provides sequential locking with up to .625" (15.9 mm) of pull-in. The lock must utilize a tie bar driven by a single locking handle to meet ADA hardware height standards. The lock drive handle must provide a weather tight seal by providing a O-ring between lock and window frame. The lock shall be constructed of high pressure zinc alloy die castings and E-Gard® internal components.

Window locks shall be 24 series, Multi-Point as manufactured by Truth Hardware, Owatonna, MN.

FIG. 1 APPLICATION WITH THREE LOCKING POINTS ABOVE MASTER LOCK SHOWING INTERLOCK ROLLER SYSTEM



PART NO.	DESCRIPTION (RIGHT HAND SHOWN)
24.84.XX.002	LOCK ASSEMBLY (L.H. 24.84.XX.001)
21132	SUPPORT PLATE
19545	#8-32 PHILLIPS SELF THREADING SCREW
*	TIE BAR GUIDE (NON HANDED)
**	#8 PH SST SHEET METAL SCREW BAR GUIDE
*	KEEPER R.H. (L.H. IS *)
**	#8 PH SST SHEET METAL SCREW (KEEPER)
SEE CHART ***	TIE BAR ASSEMBLY (NON HANDED)

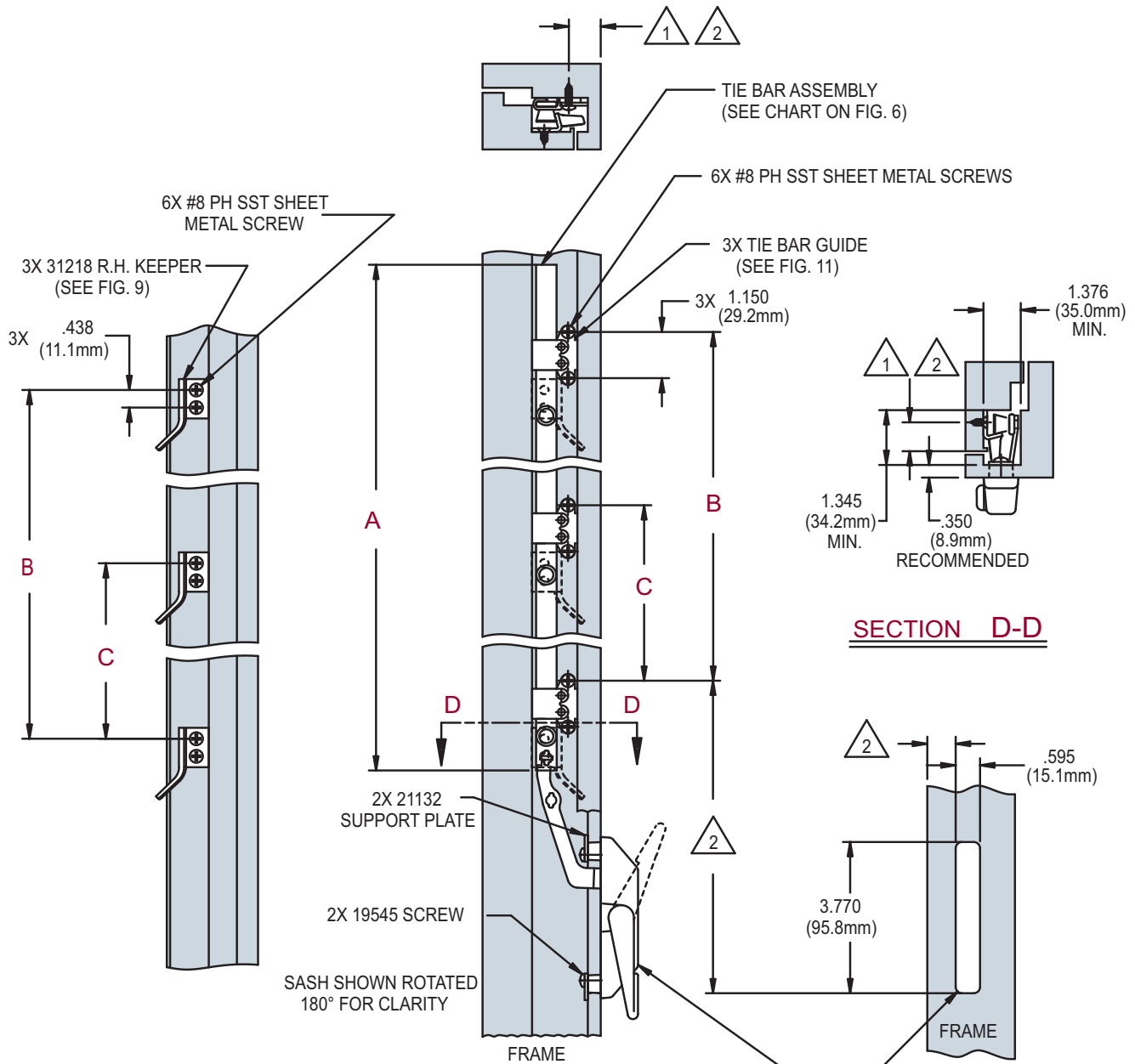
* DEPENDENT ON PROFILE DESIGN
 ** SCREWS NOT FURNISHED BY TRUTH
 *** OTHER LENGTHS AVAILABLE UPON REQUEST
 XX PAINT COLOR CODE

24.84.XX.101
 MULTI-POINT
 LOCK

NOTE:

- 1 MOUNTING SCREWS FOR KEEPER AND TIE BAR GUIDE MUST PASS THRU TWO WALLS.
- 2 DIMENSION VARIABLE-DEPENDENT ON CUSTOMER PROFILES.
- 3 WASHERS OR TRUTH PART NO. 31491 MAY ALSO BE USED. (SEE FIG. 7)
- 4. DIMENSIONS A, B, & C FOUND ON TIE BAR CHART (SEE FIG. 5)

FIG. 2 APPLICATION WITH THREE LOCKING POINTS ABOVE MASTER LOCK SHOWING CONE ROLLER SYSTEM

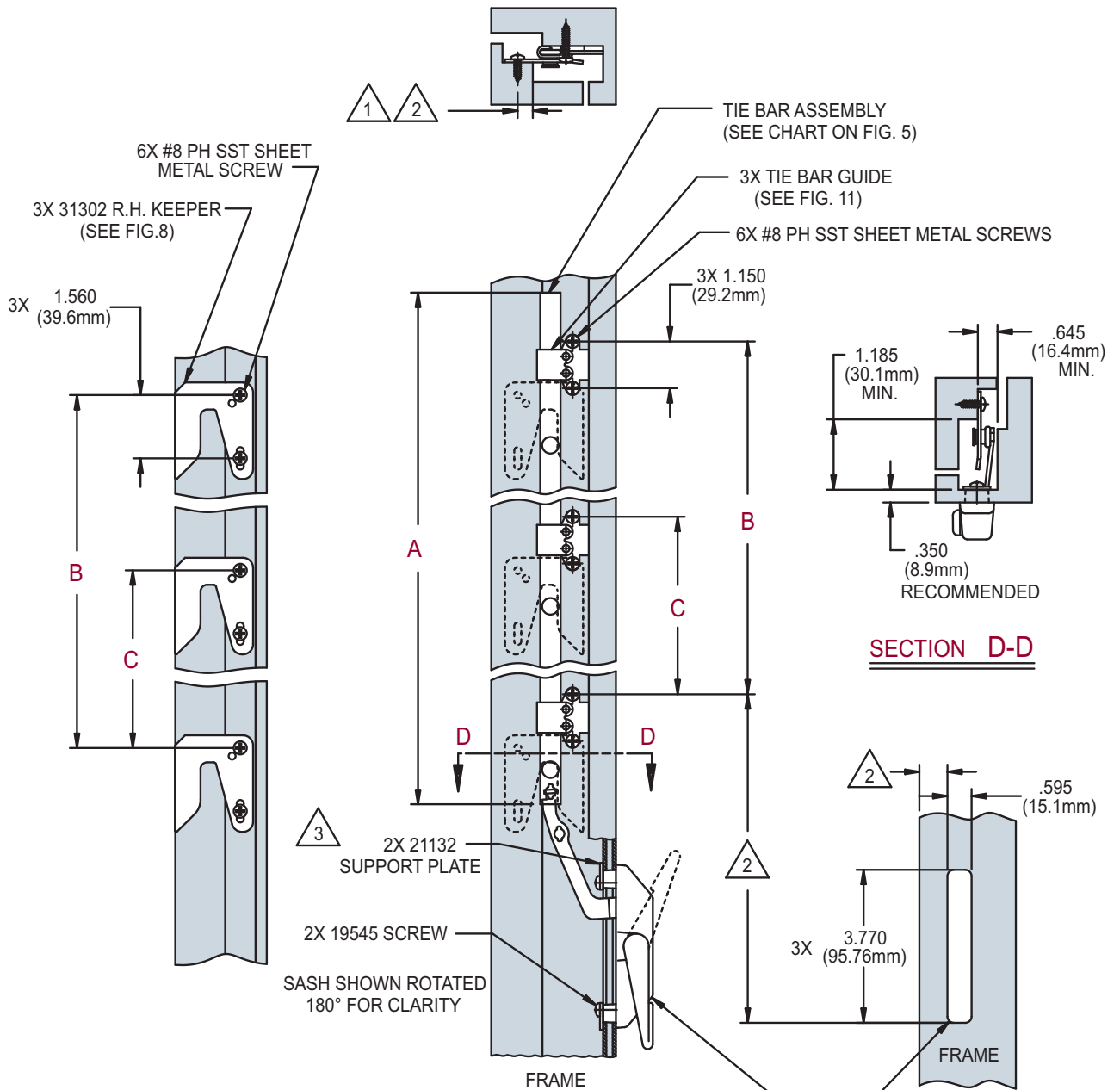


PART NO.	DESCRIPTION (RIGHT HAND SHOWN)
24.84.XX.002	LOCK ASSEMBLY (L.H. 24.84.XX.001)
21132	SUPPORT PLATE
19545	#8-32 PHILLIPS SELF THREADING SCREW
*	TIE BAR GUIDE (NON HANDED)
**	#8 PH SST SHEET METAL SCREW BAR GUIDE
31218	KEEPER RH (LH IS 31217)
**	#8 PH SST SHEET METAL SCREW (KEEPER)
SEE CHART ***	TIE BAR ASSEMBLY (NON HANDED)

* DEPENDENT ON PROFILE DESIGN
 ** SCREWS NOT FURNISHED BY TRUTH
 *** OTHER LENGTHS AVAILABLE UPON REQUEST
 XX PAINT COLOR CODE

- 1 MOUNTING SCREWS FOR KEEPER AND TIE BAR GUIDE MUST PASS THRU TWO WALLS.
- 2 DIMENSION VARIABLE-DEPENDENT ON CUSTOMER PROFILES.
- 3 WASHERS OR TRUTH PART NO. 31491 MAY ALSO BE USED. (SEE FIG. 7)
- 4. DIMENSIONS A, B, & C FOUND ON TIE BAR CHART. (SEE FIG. 6)

FIG. 3 APPLICATION WITH THREE LOCKING POINTS ABOVE MASTER LOCK



PART NO.	DESCRIPTION (RIGHT HAND SHOWN)
24.84.XX.002	LOCK ASSEMBLY (L.H. 24.84.XX.001)
21132	SUPPORT PLATE
19545	#8-32 PHILLIPS SELF THREADING SCREW
*	TIE BAR GUIDE (NON HANDED)
**	#8 PH SST SHEET METAL SCREW BAR GUIDE
31302	KEEPER R.H. (L.H. IS 31301)
**	#8 PH SST SHEET METAL SCREW (KEEPER)
SEE CHART ***	TIE BAR ASSEMBLY (NON HANDED)

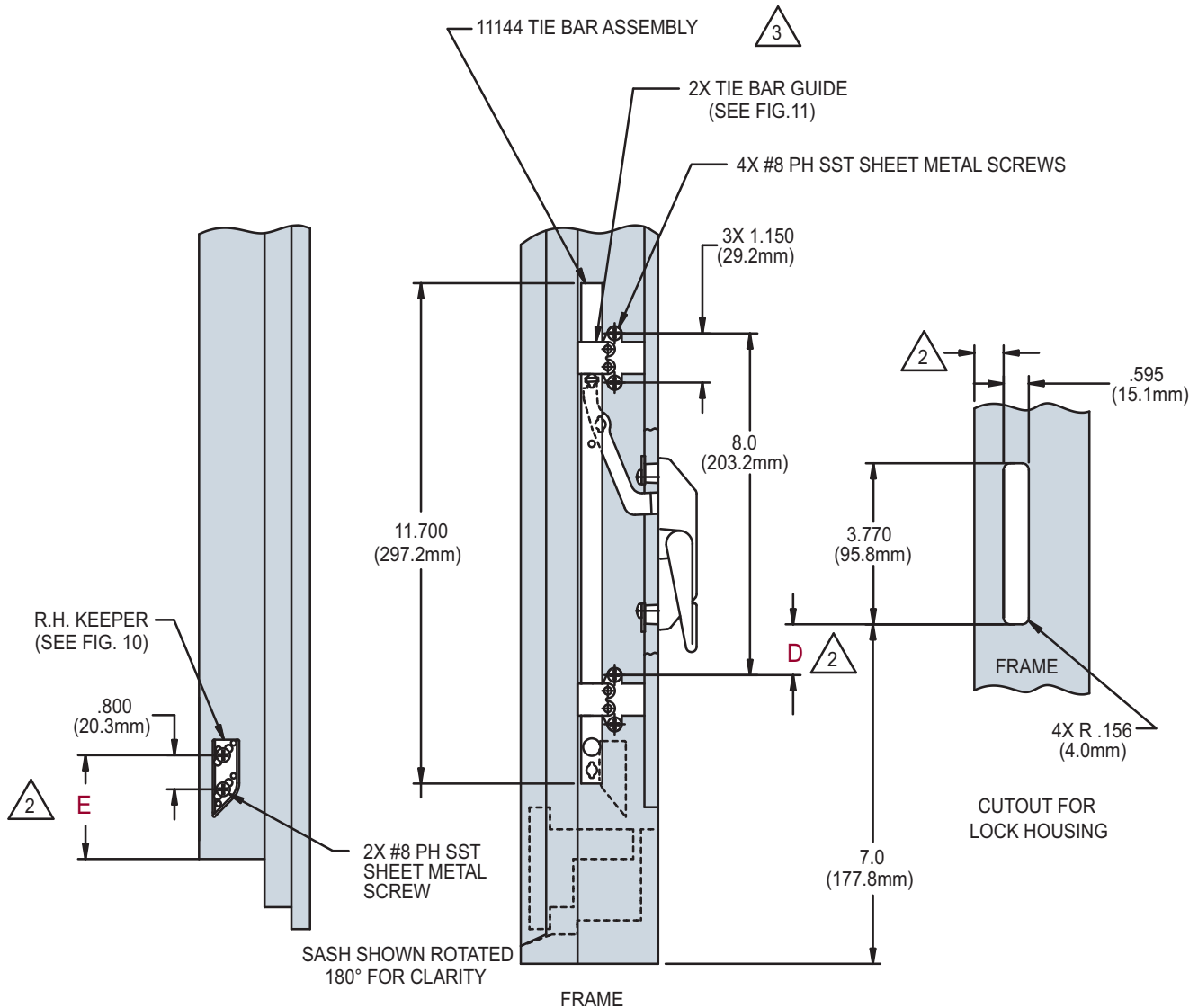
* DEPENDENT ON PROFILE DESIGN
 ** SCREWS NOT FURNISHED BY TRUTH
 *** OTHER LENGTHS AVAILABLE UPON REQUEST
 XX PAINT COLOR CODE

NOTE:

- 1 MOUNTING SCREWS FOR KEEPER AND TIE BAR GUIDE MUST PASS THRU TWO WALLS.
- 2 DIMENSION VARIABLE-DEPENDENT ON CUSTOMER PROFILES.
- 3 WASHERS OR TRUTH PART NO. 31491 MAY ALSO BE USED. (SEE FIG. 7)

4. DIMENSIONS A, B, & C FOUND ON TIE BAR CHART. (SEE FIG. 5)

FIG. 4 AWNING APPLICATION WITH ONE LOCKING POINT BELOW MASTER LOCK SHOWING INTERLOCK ROLLER SYSTEM (available with cone roller system)



PART NO.	DESCRIPTION (RIGHT HAND SHOWN)
24.84.XX.002	LOCK ASSEMBLY (L.H. 24.84.XX.001)
21132	SUPPORT PLATE
19545	#8-32 PHILLIPS SELF THREADING SCREW
*	TIE BAR GUIDE (NON HANDED)
**	#8 PH SST SHEET METAL SCREW BAR GUIDE
*	KEEPER R.H. (L.H. IS 31301)
**	#8 PH SST SHEET METAL SCREW (KEEPER)
11925	TIE BAR ASSEMBLY (NON HANDED)

* DEPENDENT ON PROFILE DESIGN
 ** SCREWS NOT FURNISHED BY TRUTH
 XX PAINT COLOR CODE

NOTE:

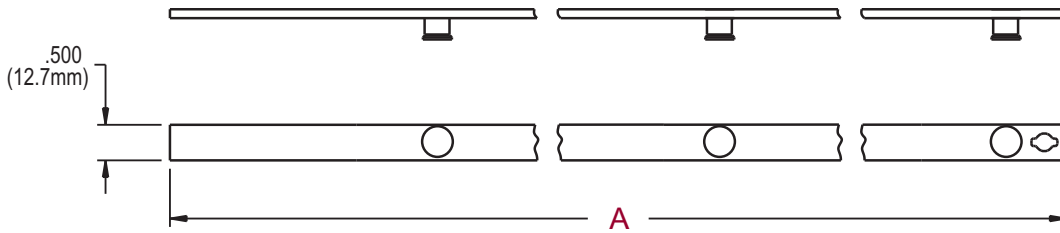
1 REFER TO CASEMENT MULTI-POINT APPLICATION DRAWING FOR REMAINING DIMENSIONS AND BILL OF MATERIALS.

2 DIMENSIONS D AND E VARY ACCORDING TO THE PROFILE. DIMENSIONS CAN BE ACQUIRED FROM TRUTH.

3 TIE BAR ASSEMBLIES TRUTH PART NO. 12032 (CONE ROLLER) OR PART NO. 11901 (INTERLOCK ROLLER) MAY BE USED.

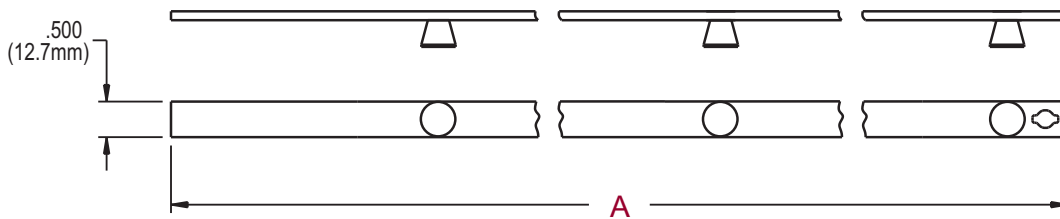
4 THIS SYSTEM WOULD BE REPEATED ON BOTH JAMBS OF AN AWNING WINDOW.

FIG. 5 TIE BAR CHART FOR INTERLOCK ROLLER



TIE BAR ASSEMBLY					
WINDOW SIZE	PART NO.		A DIM	B DIM	C DIM
	2 ROLLERS	3 ROLLERS			
22 in (558.8mm)	11900	NA	10.9 (276.9mm)	7.0 (177.8mm)	NA
26 in (660.4mm)	11901	NA	14.9 (378.5mm)	11.0 (279.4mm)	NA
30 in (762.0mm)	11902	NA	18.9 (480.1mm)	15.0 (381.0mm)	NA
34 in (863.6mm)	11903	11913	22.9 (581.7mm)	19.0 (482.6mm)	10.0 (254.0mm)
38 in (965.2mm)	11904	11914	26.9 (683.3mm)	23.0 (584.2mm)	12.0 (304.8mm)
42 in (1066.8mm)	11905	11915	30.9 (784.9mm)	27.0 (685.8mm)	14.0 (355.6mm)
46 in (1168.4mm)	11906	11916	34.9 (886.5mm)	31.0 (787.4mm)	16.0 (406.4mm)
50 in (1270.0mm)	11907	11917	38.9 (988.1mm)	35.0 (889.0mm)	18.0 (457.2mm)
54 in (1371.6mm)	11908	11918	42.9 (1089.7mm)	39.0 (990.6mm)	20.0 (508.0mm)
58 in (1473.2mm)	11909	11919	46.9 (1191.3mm)	43.0 (1092.2mm)	22.0 (558.8mm)
62 in (1574.8mm)	11910	11920	50.9 (1292.9mm)	47.0 (1193.8mm)	24.0 (609.6mm)
66 in (1676.4mm)	11911	11921	54.9 (1394.5mm)	51.0 (1295.4mm)	26.0 (660.4mm)
70 in (1778.0mm)	11912	11922	58.9 (1496.1mm)	55.0 (1397.0mm)	28.0 (711.2mm)

FIG. 6 TIE BAR CHART FOR CONE ROLLER



TIE BAR ASSEMBLY					
WINDOW SIZE	PART NO.		A DIM	B DIM	C DIM
	2 ROLLERS	3 ROLLERS			
22 in (558.8mm)	12003	NA	10.9 (276.9mm)	7.0 (177.8mm)	NA
26 in (660.4mm)	12005	NA	14.9 (378.5mm)	11.0 (279.4mm)	NA
30 in (762.0mm)	12006	NA	18.9 (480.1mm)	15.0 (381.0mm)	NA
34 in (863.6mm)	12008	12020	22.9 (581.7mm)	19.0 (482.6mm)	10.0 (254.0mm)
38 in (965.2mm)	12009	12021	26.9 (683.3mm)	23.0 (584.2mm)	12.0 (304.8mm)
42 in (1066.8mm)	12012	12022	30.9 (784.9mm)	27.0 (685.8mm)	14.0 (355.6mm)
46 in (1168.4mm)	12013	12023	34.9 (886.5mm)	31.0 (787.4mm)	16.0 (406.4mm)
50 in (1270.0mm)	12015	12024	38.9 (988.1mm)	35.0 (889.0mm)	18.0 (457.2mm)
54 in (1371.6mm)	12016	12025	42.9 (1089.7mm)	39.0 (990.6mm)	20.0 (508.0mm)
58 in (1473.2mm)	12010	12026	46.9 (1191.3mm)	43.0 (1092.2mm)	22.0 (558.8mm)
62 in (1574.8mm)	12017	12027	50.9 (1292.9mm)	47.0 (1193.8mm)	24.0 (609.6mm)
66 in (1676.4mm)	12018	12028	54.9 (1394.5mm)	51.0 (1295.4mm)	26.0 (660.4mm)
70 in (1778.0mm)	12019	12029	58.9 (1496.1mm)	55.0 (1397.0mm)	28.0 (711.2mm)

FIG. 7 SUPPORT PLATE & WASHERS

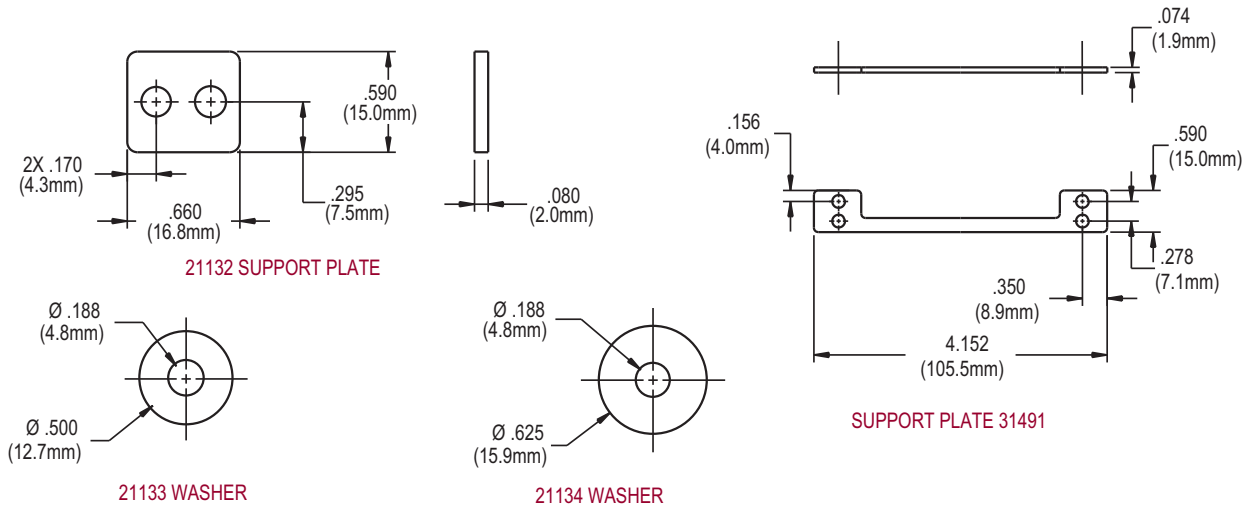
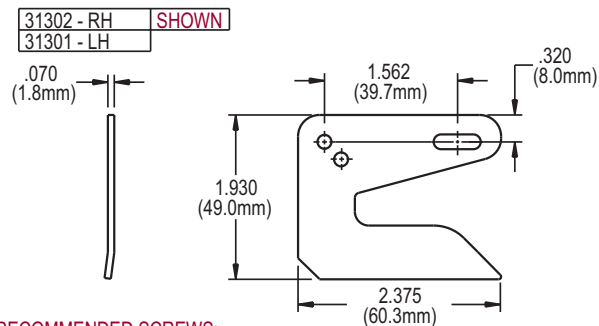


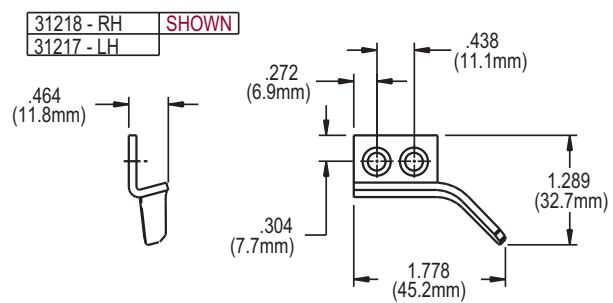
FIG. 8 KEEPER 31302 AND 31301 (for interlock roller system)



RECOMMENDED SCREWS:

WOOD/PVC/METAL: 2 - #8 PHILLIPS, PAN HEAD, SST SCREWS (LENGTH AND THREAD TYPE TO BE DETERMINED BY PROFILE)

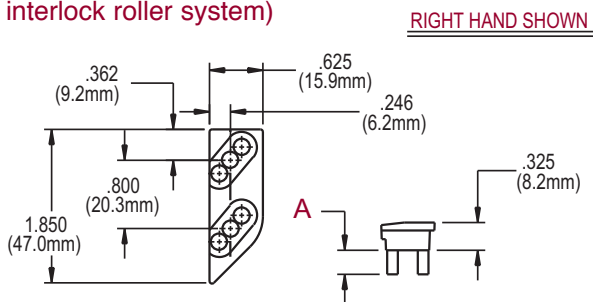
FIG. 9 KEEPER 31218 AND 31217 (for cone roller system)



RECOMMENDED SCREWS:

WOOD/PVC/METAL: 2 - #8 PHILLIPS, FLAT HEAD, SST SCREWS (LENGTH AND THREAD TYPE TO BE DETERMINED BY PROFILE)

FIG. 10 ADJUSTABLE KEEPER (for interlock roller system)

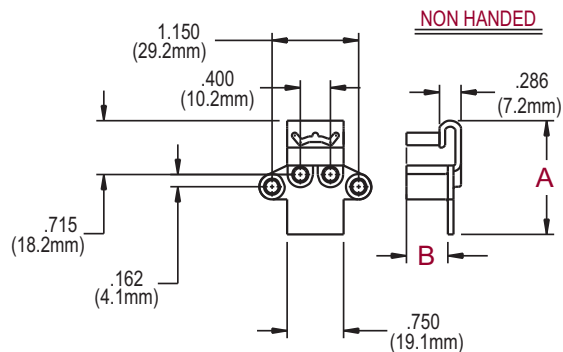


A DIMENSION WILL VARY TO SUIT CUSTOMER PROFILE

RECOMMENDED SCREWS:

WOOD/PVC/METAL: 2 - #8 PHILLIPS, PAN HEAD, SST SCREWS (LENGTH AND THREAD TYPE TO BE DETERMINED BY PROFILE)

FIG. 11 ADJUSTABLE TIE BAR GUIDE



A & B DIMENSIONS WILL VARY TO SUIT CUSTOMER PROFILE

RECOMMENDED SCREWS:

WOOD/PVC/METAL: 2 - #8 PHILLIPS, PAN HEAD, SST SCREWS (LENGTH AND THREAD TYPE TO BE DETERMINED BY PROFILE)